

# LAWN & GARDEN EQUIPMENT & ACCESSORIES CATALOG

14<sup>TH</sup> EDITION



POWERED by  
**HONDA**™

**BE** AGRI  
EASE

AG & INDUSTRIAL



**BE AGRI EASE**  
16.5 HP (1200W)



- 6 POWER WHEELBARROWS**
- 8 STUMP GRINDERS**
- 11 WOOD CHIPPERS**
- 18 LOG SPLITTERS**
- 26 POWEREASE ENGINES**
- 27 TILLERS**
- 31 TRIMMER MOWERS**
- 32 LEAF BLOWERS**
- 33 WEIGHT BOXES**
- 34 SPRAYERS**
- 49 DOLLIES**
- 50 LAWN IMPLEMENTS**
- 52 SPREADERS**
- 53 DUMP CARTS**
- 57 GARDEN HOSES**
- 58 GARDEN SPRAY GUNS & FITTINGS**
- 60 MOBILE DIESEL TANKS**
- 61 PALLET FORKS**
- 62 HARROWS**
- 67 WARRANTY**

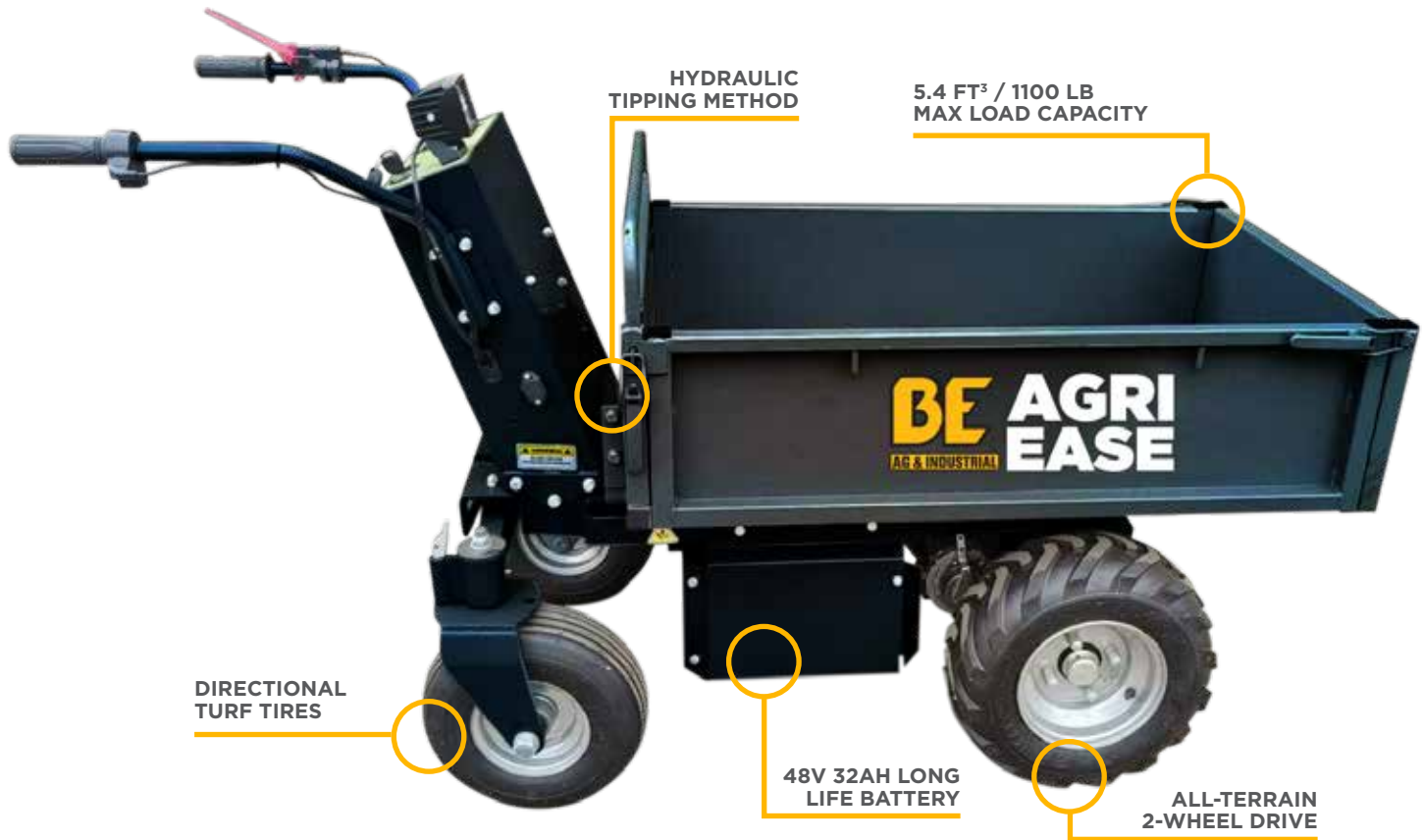




- 49 DOLLIES**
- 53 DUMP CARTS**
- 57 GARDEN HOSES**
- 58 GARDEN SPRAY GUNS & FITTINGS**
- 62 HARROWS**
- 50 LAWN IMPLEMENTS**
- 32 LEAF BLOWERS**
- 18 LOG SPLITTERS**
- 60 MOBILE DIESEL TANKS**
- 61 PALLET FORKS**
- 26 POWEREASE ENGINES**
- 6 POWER WHEELBARROWS**
- 34 SPRAYERS**
- 52 SPREADERS**
- 8 STUMP GRINDERS**
- 27 TILLERS**
- 31 TRIMMER MOWERS**
- 67 WARRANTY**
- 33 WEIGHT BOXES**
- 11 WOOD CHIPPERS**

# POWER WHEELBARROW

5.4 FT<sup>3</sup> / 1100 LB CAPACITY



PART #	BE-MDE500
MOTOR	1000W 48V BRUSHLESS ELECTRIC
BRAKE SYSTEM	ELECTROMAGNETIC
BATTERY	48V 32AH LEAD-ACID
CHARGING CURRENT	4.5A
SPEEDS	3 FORWARD, 1 REVERSE
WORKING TIME	8 - 10 HOURS
CHARGING TIME	6 - 7 HOURS
TIRE SIZE	FRONT: 16" X 6-5/8" REAR: 13" X 5"
MAX TRAVEL SPEED	5 KM/H
TIPPING METHOD	HYDRAULIC
BUCKET DIMENSIONS	40" X 24" X 9.5"
OVERALL DIMENSIONS	69" X 29" X 42"
WEIGHT	352 LBS
SHIPPING WEIGHT	396 LBS

# POWER WHEELBARROW

4.4 FT<sup>3</sup> / 660 LB CAPACITY

**HONDA**  
GX200 6.5HP

POWERED by **HONDA**  
OPTIONAL POWER EASE ENGINE



4.4 FT<sup>3</sup> / 660 LB  
MAX LOAD CAPACITY

2-POSITION  
ENABLED CONTROLS  
WITH INSTANT STOP

**DRIVES  
LIKE A  
SKID  
STEER!**

DIRECTIONAL  
AG TIRES

ALL-TERRAIN,  
ALL-WHEEL DRIVE

- Evenly balanced to maximize control and prevent tipping

**OPTIONS**

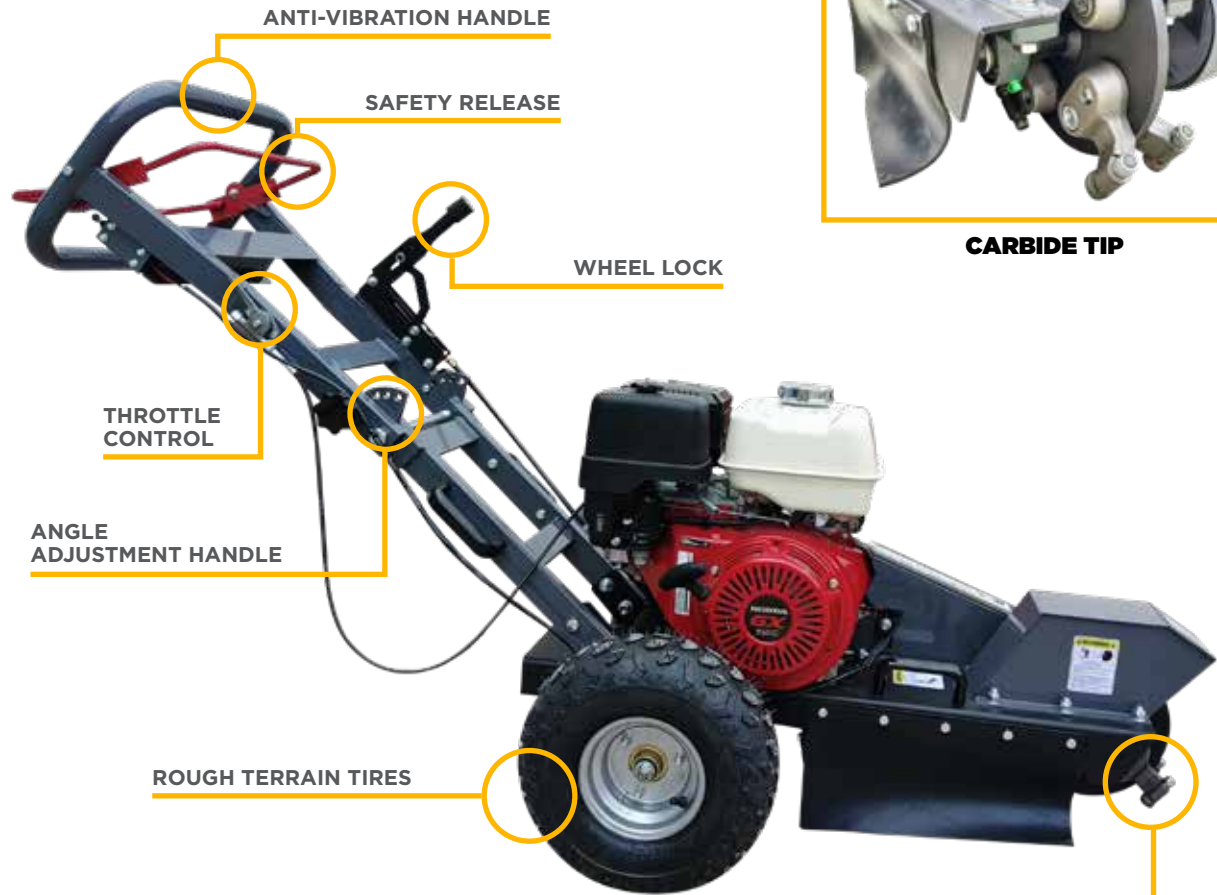
**TURF TREAD WHEEL**  
101.103C.200

PART #	BE-MD300R	BE-MD300H
ENGINE	POWER EASE 212 CC / 7 HP	HONDA GX200 196 CC / 6.5 HP
TORQUE	9.50 LB-FT	9.50 LB-FT
START TYPE	RECOIL	RECOIL
WEIGHT	350 LBS	350 LBS
SPEEDS	3 FORWARD, 1 REVERSE	3 FORWARD, 1 REVERSE
TIRE SIZE	16" X 4"	16" X 4"
ZERO TURN RADIUS	YES	YES
BELT	KEVLAR	KEVLAR
GRADE ABILITY	20°	20°
MAX TRAVEL SPEED	5 KM/H	5 KM/H
TIPPING METHOD	MANUAL	MANUAL
BUCKET DIMENSIONS	37.5" X 25.5" X 13.5"	37.5" X 25.5" X 13.5"
OVERALL DIMENSIONS	53" X 31" X 40"	53" X 31" X 40"

# CARBIDE TIPPED STUMP GRINDERS

**HONDA™**  
GX390 13HP

POWERED by **HONDA™**  
OPTIONAL  
POWEREASE ENGINE



INCLUDES  
**CARBIDE TIPPED**  
CUTTING  
EDGES

**15 HP**  
POWEREASE  
ENGINE

**13 HP**  
HONDA  
ENGINE

CUTS 9"  
BELOW  
GRADE

CUTS 10"  
ABOVE  
GRADE

CARBIDE TIPPED  
CUTTING TEETH

\*PRODUCT MAY NOT BE EXACTLY AS SHOWN

PART#	BE-SGGR15	BE-SGGH13
WEIGHT	260 LBS	264 LBS
ENGINE	POWEREASE 420 CC / 15 HP	HONDA GX390 389 CC / 13 HP
CUTTING CAPACITY ABOVE GRADE	10"	10"
CUTTING CAPACITY BELOW GRADE	9"	9"
STUMP DIAMETER	NO LIMIT	NO LIMIT

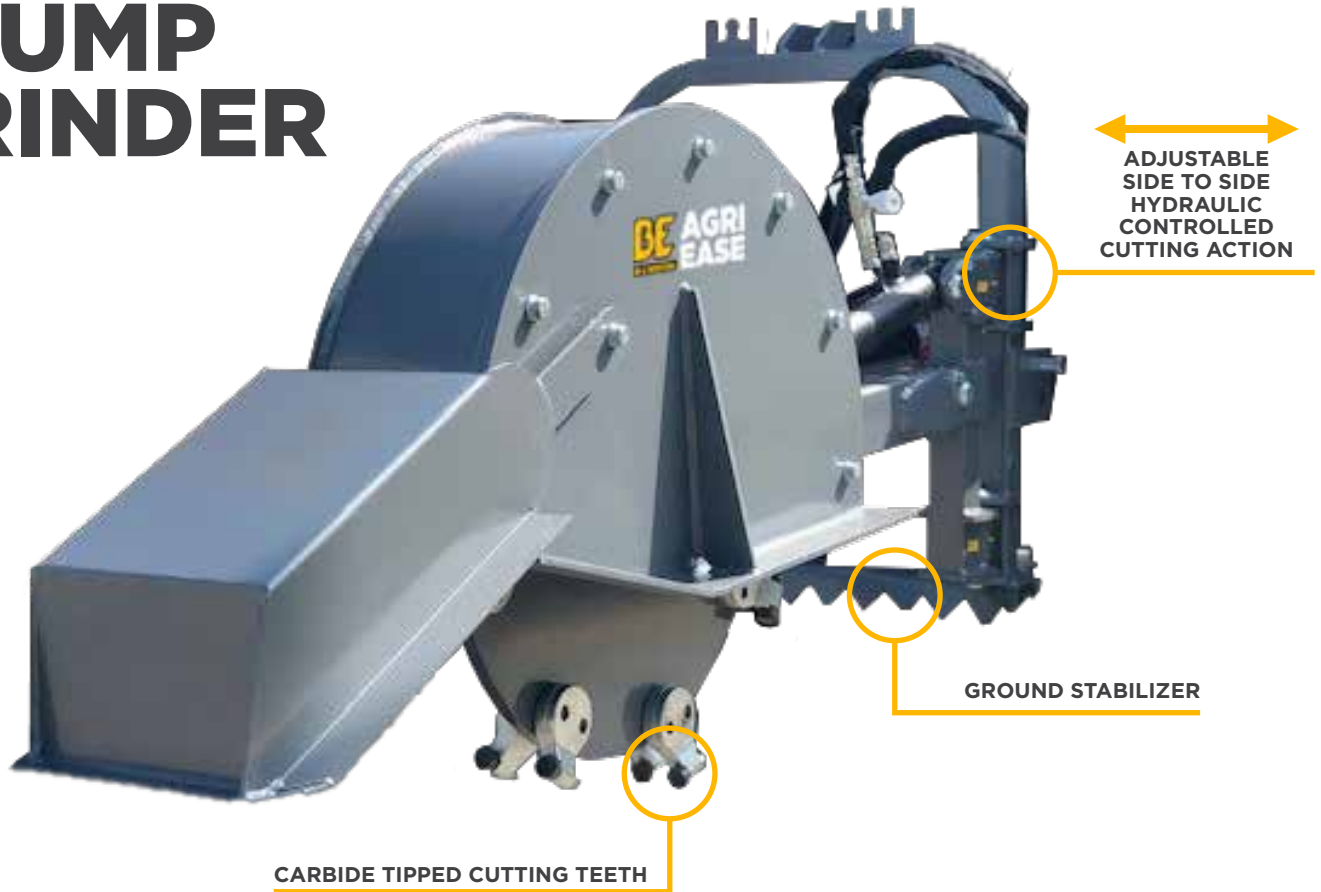
**REPLACEMENT PARTS**

REPLACEMENT TEETH INCLUDES 1 EACH OF LEFT & RIGHT	101.102B.001	101.102B.001
REPLACEMENT BELTS 2 NEEDED	101.102B.002	101.102B.002





# HYDRAULIC 3 POINT HITCH STUMP GRINDER



**4**  
TRACTOR  
HYDRAULIC  
PORTS  
REQUIRED

**540**  
RPM PTO

**SHEAR PIN**  
PTO YOKE

**HYDRAULIC  
POSITION  
CONTROL**

**CUTS 14"  
BELOW  
GRADE**

**CUTS 25"  
ABOVE  
GRADE**

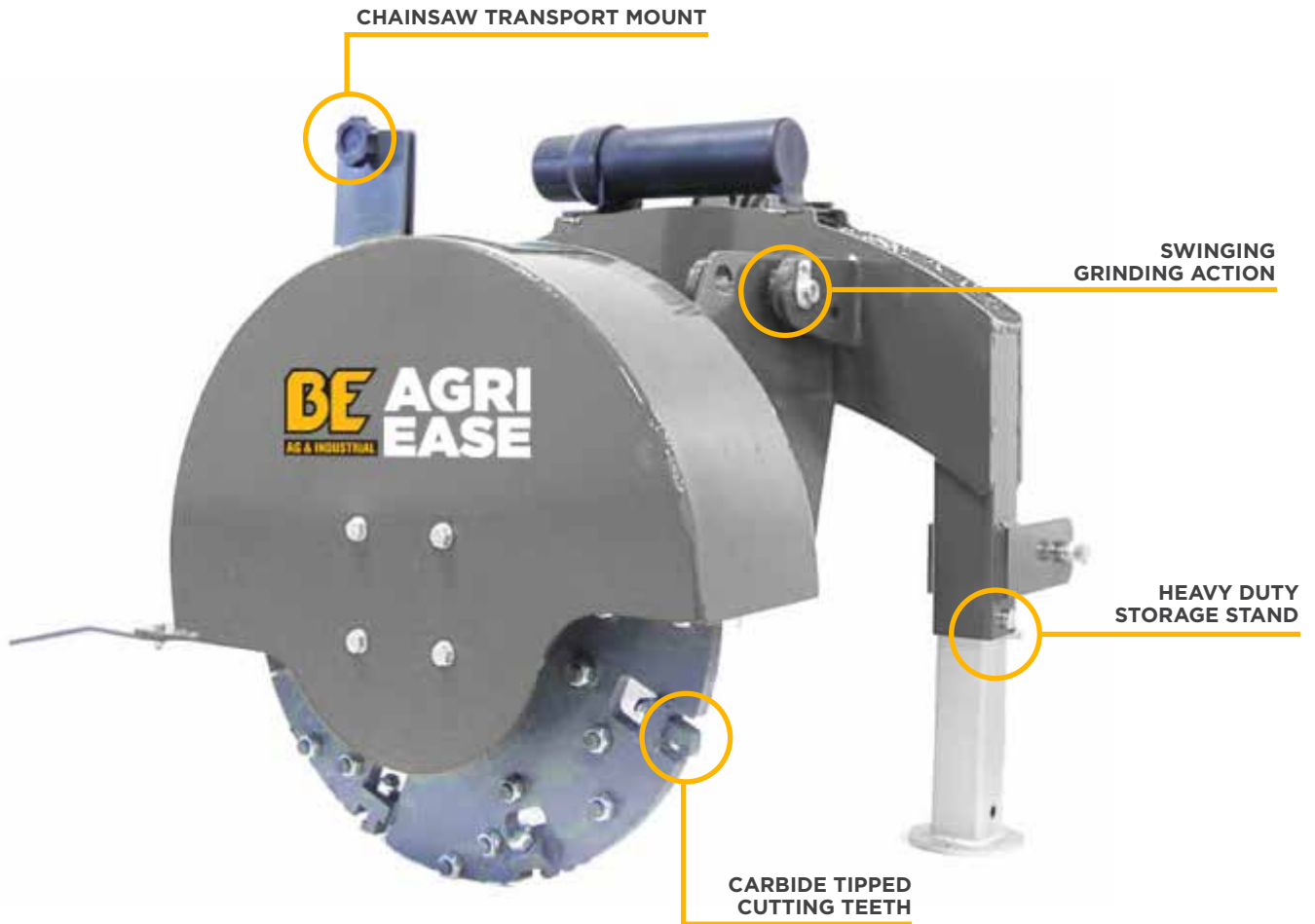
PART#	BE-SGH24
-------	----------

**REPLACEMENT PARTS**

CUTTING TOOTH 16 NEEDED	104.101B.033
CUTTING TOOTH HOLDER 2 6 NEEDED	104.101B.034
CUTTING TOOTH HOLDER 3 6 NEEDED	104.101B.035
CUTTING TOOTH HOLDER 4 1 NEEDED	104.101B.036
CUTTING TOOTH HOLDER 5 1 NEEDED	104.101B.037
CUTTING TOOTH HOLDER 6 1 NEEDED	104.101B.038
CUTTING TOOTH HOLDER 1 1 NEEDED	104.101B.039



# 3 POINT HITCH STUMP GRINDER



**540**  
RPM PTO

**SLIP CLUTCH**  
PTO YOKE

**CUTS 14"**  
BELOW  
GRADE

**CUTS ABOVE**  
GRADE ARE  
DEPENDANT  
ON TRACTOR

PART# BE-SG24

## REPLACEMENT PARTS

CUTTING TOOTH - 34 NEEDED SGCUTTER



# 2-IN-1 FLYWHEEL WOOD CHIPPER SHREDDER



- 7  
HP**  
POWEREASE  
ENGINE
-   
10" ROUGH  
TERRAIN TIRES
- INCLUDES  
DISCHARGE  
COLLECTION  
BAG
- 3"**  

- OPTIONAL  
VACUUM  
HOSE  
KIT

PART #	BE-WCGF3R7
ENGINE	POWEREASE 212 CC / 7 HP
ROTOR BLADES	2
ROTOR HAMMERS	4
ROTOR DEPTH	8.5 MM
CHIPPER CAPACITY	3"
HOPPER CAPACITY	1/2"
WEIGHT	121 LBS

### REPLACEMENT PARTS

Y HAMMER - 4 NEEDED	102.104B.052
KNIFE - 2 NEEDED	102.104B.058

### OPTIONS

**VACUUM HOSE KIT**  
102.104B.700

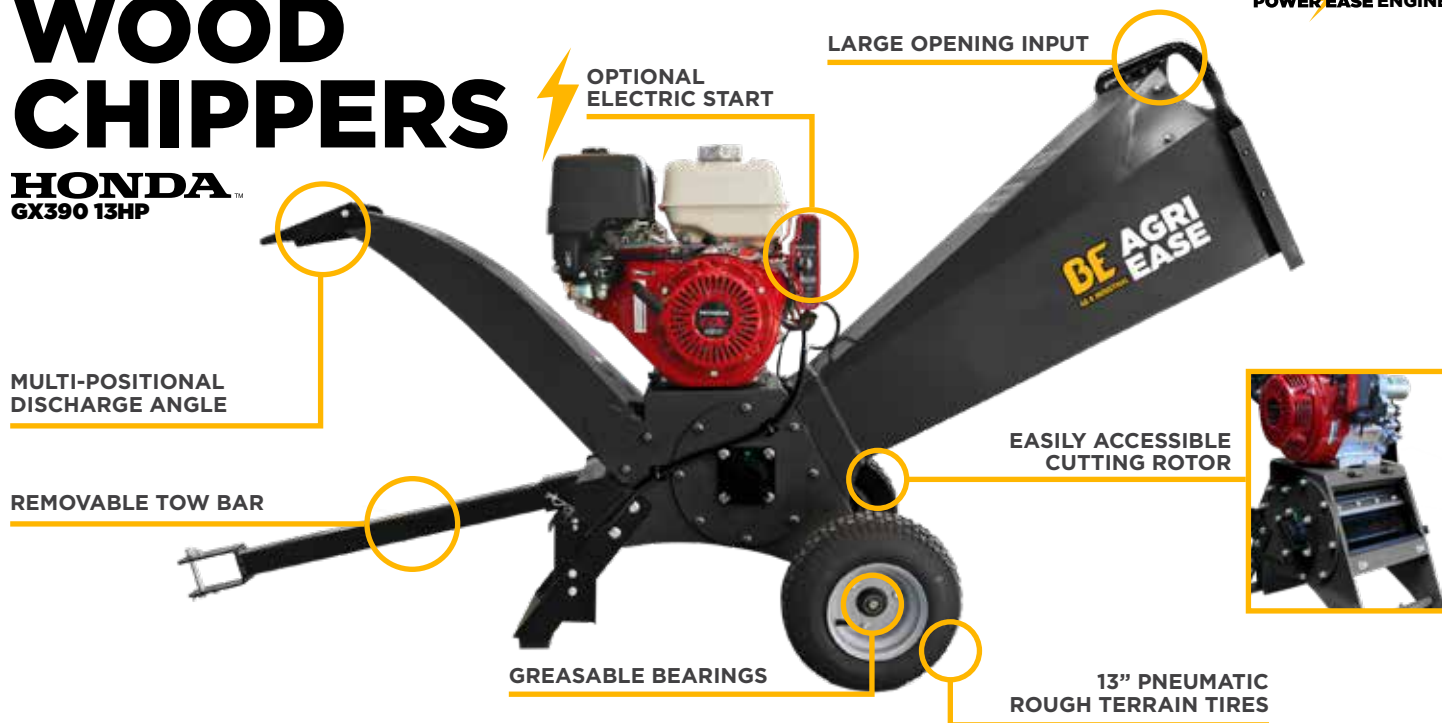




## 4" DRUM WOOD CHIPPERS

**HONDA™**  
GX390 13HP

POWERED BY  
**HONDA™**  
OPTIONAL  
POWER EASE ENGINE



PART #	BE-WCGR4R13	BE-WCGR4R13E	BE-WCGR4H13	BE-WCGR4H13E
ENGINE	POWEEASE 420 CC / 15 HP	POWEEASE 420 CC / 15 HP	HONDA GX390 389 CC / 13 HP	HONDA GX390 389 CC / 13 HP
ROTOR BLADES	2	2	2	2
ROTOR DIAMETER	220 MM	220 MM	220 MM	220 MM
ROTOR LENGTH	240 MM	240 MM	240 MM	240 MM
STARTER TYPE	RECOIL	ELECTRIC	RECOIL	ELECTRIC
CHIPPER CAPACITY	4"	4"	4"	4"
WEIGHT	258 LBS	258 LBS	258 LBS	258 LBS

### REPLACEMENT PARTS

FLYWHEEL KNIVES 2 NEEDED	102.106B.130	102.106B.130	102.106B.130	102.106B.130
BELT - 2 NEEDED	102.106B.107	102.106B.107	102.106B.107	102.106B.107

# 4" FLYWHEEL WOOD CHIPPER SHREDDERS

**HONDA**  
GX390 13HP

POWERED by  
**HONDA**  
OPTIONAL  
POWER EASE ENGINE



- 13 HP**  
HONDA ENGINE
- 15 HP**  
POWEREASE ENGINE
-   
16" ROAD READY TIRES
-   
INCLUDES DOCUMENT HOLDER
-   
2" BALL COUPLER
- 4"**  


PART #	BE-WCGF4R13	BE-WCGF4H13
ENGINE	POWEREASE 420 CC / 15 HP	HONDA GX390 389 CC / 13 HP
FLYWHEEL BLADES	2	2
STATIONARY BLADES	1	1
BELTS	2	2
STARTER TYPE	ELECTRIC	ELECTRIC
CHIPPER CAPACITY	4"	4"
WEIGHT	573 LBS	573 LBS

**REPLACEMENT KNIVES**

FLYWHEEL KNIVES - 2 NEEDED	101.101B.002	101.101B.002
STATIONARY KNIFE - 1 NEEDED	101.101B.001	101.101B.001
BELT - 2 NEEDED	101.101B.003	101.101B.003



# 4" 3 POINT HITCH FLYWHEEL WOOD CHIPPER



<b>PART #</b>	<b>BE-WC42G</b>
HP RATING	18 - 45 HP
CHIPPER CAPACITY	4"
FEED	GRAVITY
ROTOR	25-1/2" DIAMETER
WEIGHT	432 LBS

**REPLACEMENT PARTS**

FLYWHEEL KNIVES - 4 NEEDED	WCKNIFE
STATIONARY KNIFE - 1 NEEDED	WC46G





# 5" 3 POINT HITCH FLYWHEEL WOOD CHIPPER



PART #	BE-WCX5
HP RATING	18 - 45 HP
PTO RPM	540 - 1000 R/MIN
DIMENSIONS (LXWXH)	43" X 55" X 66"
ROTOR KNIVES	4
ROTOR SIZE	24-3/4"
ROTOR WEIGHT	125 LBS
CHIPPER CAPACITY	5"
CHIPPER HOUSING OPENING	5" X 10"
DISCHARGE HOOD ROTATION	270°
DISCHARGE HOOD HEIGHT	60"
WEIGHT	485 LBS

**REPLACEMENT PARTS**

FLYWHEEL KNIVES - 4 NEEDED	WCX5-0101
STATIONARY KNIFE - 1 NEEDED	WCX5-0102



# 6" 3 POINT HITCH FLYWHEEL WOOD CHIPPER



**540**  
RPM PTO

**SHEAR PIN**  
PTO YOKE

**6"**

PART #	BE-WC62G
HP RATING	30 - 100 HP
CHIPPER CAPACITY	6"
FEED	GRAVITY
ROTOR	30" DIAMETER
WEIGHT	1067 LBS

**REPLACEMENT PARTS**

FLYWHEEL KNIVES - 4 NEEDED	1012M203
STATIONARY KNIFE - 1 NEEDED	1012M204



# 5" 3 POINT HITCH ROLLER-FEED FLYWHEEL WOOD CHIPPER

WITH HYDRAULIC FEED



<b>PART #</b>	BE-WC522
HP RATING	30 - 100 HP
CHIPPER CAPACITY	5.2"
FEED	HYDRAULIC
ROTOR	25" DIAMETER
WEIGHT	860 LBS

## REPLACEMENT PARTS

FLYWHEEL KNIVES - 4 NEEDED	704090048
STATIONARY KNIFE - 1 NEEDED	704090049

# 6 TON ELECTRIC LOG SPLITTER 110V, 60HZ



2.2" CYLINDER  
BORE X 17"  
STROKE

OPTIONAL 4 WAY INTEGRATED SPLITTING WEDGE

TRANSPORTATION HANDLE

3400 RPM ELECTRIC MOTOR



**OPTIONS**

**4 WAY CROSS WEDGE**  
LS4CWE



PART#	LS6TE
POWER OUTPUT	1300W
RATED CURRENT	12A
OIL CAPACITY	3.8 LITERS
CYCLE TIME	14 SECOND
MAX PRESSURE	2700 PSI
CYLINDER	2.2" X 17"
AUTO RETURN STANDARD VALVE TYPE	✓
*SPLITTING DIAMETER	10"
SPLITTING LENGTH	20-1/2"
SHIPPING WEIGHT	110 LBS

**REPLACEMENT WEAR PARTS**

WHEEL	330-436
HYDRAULIC VALVE	520-974
HYDRAULIC PUMP	550-203
LOG HOLDER	320-935

\* SPLITTING DIAMETER VARIES WITH TYPE OF WOOD AND ENVIRONMENTAL CONDITIONS

# 25 TON TRACTOR MOUNTED LOG SPLITTER

WITH HYDRAULIC HOSES & QD TIPS



<b>25 TON</b> SPLITTING FORCE	<b>HORIZONTAL &amp; VERTICAL POSITION</b> 	<b>MINIMUM 6 GPM</b> REQUIRED	<b>2</b> TRACTOR HYDRAULIC PORTS REQUIRED		<b>OPTIONS</b> <b>4 WAY CROSS WEDGE</b> LS4CW	
----------------------------------	-----------------------------------------------	----------------------------------	----------------------------------------------	--	-----------------------------------------------------	--

PART#	BE-LS25T3PT
SPLIT FORCE	25 TON
LOG LENGTH	25"
*SPLITTING DIAMETER	16"
WEDGE HEIGHT	8"
SHIPPING WEIGHT	375 LBS
OIL CAPACITY	3.25 L CYLINDER



**REPLACEMENT WEAR PARTS**

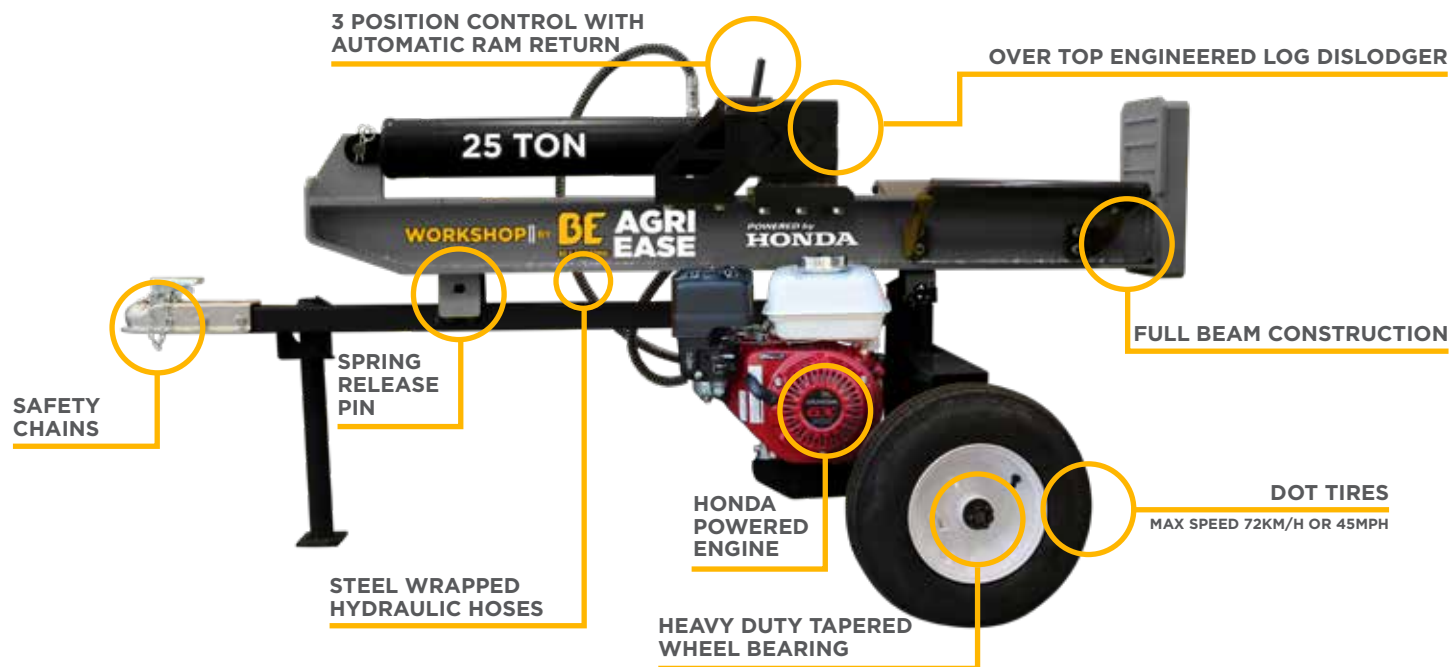
WHEEL	LSTL57
-------	--------

\* SPLITTING DIAMETER VARIES WITH TYPE OF WOOD AND ENVIRONMENTAL CONDITIONS

# 25 TON LOG SPLITTERS

**HONDA**  
GX200 6.5HP

POWERED by **HONDA**  
OPTIONAL POWER EASE ENGINE



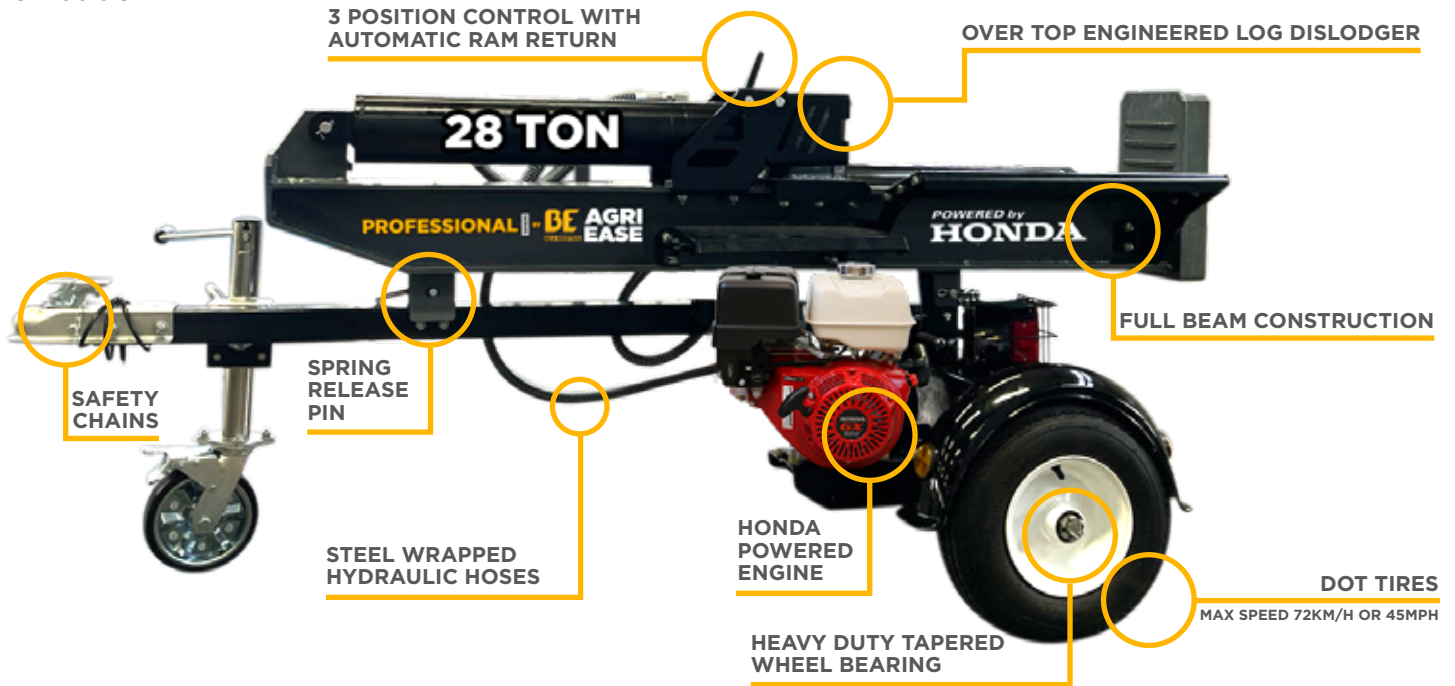
<b>25 TON</b> SPLITTING FORCE	<b>7 HP</b> POWER EASE ENGINE	<b>6.5 HP</b> HONDA ENGINE	MINOR ASSEMBLY	HORIZONTAL & VERTICAL POSITION	2" BALL COUPLER	<b>OPTIONS</b> 4 WAY CROSS WEDGE LS4CW
----------------------------------	----------------------------------	-------------------------------	----------------	--------------------------------	-----------------	-------------------------------------------

PART #	BE-LS25ER	BE-LS25EH
SERIES	WORKSHOP	WORKSHOP
ENGINE	POWER EASE 212 CC / 7 HP	HONDA GX200 196 CC / 6.5 HP
SPLIT FORCE	25 TON	25 TON
LOG LENGTH	24"	24"
*SPLITTING DIAMETER	14"	14"
WEDGE HEIGHT	7"	7"
CYCLE TIME - FORWARD	7 SECONDS	7 SECONDS
CYCLE TIME - REVERSE	5 SECONDS	5 SECONDS
PUMP	9 GPM HI-LO	9 GPM HI-LO
MAX PRESSURE	3400 PSI	3400 PSI
CYLINDER	4" X 22"	4" X 22"
SHIPPING WEIGHT	532 LBS	532 LBS
RESERVOIR CAPACITY	12 L / 3.2 GAL	12 L / 3.2 GAL
CYLINDER CAPACITY	4.2 L / 1.1 GAL	4.2 L / 1.1 GAL

# 28 TON DELUXE LOG SPLITTERS

POWERED by **HONDA**<sup>™</sup>  
 OPTIONAL POWER EASE ENGINE

**HONDA**<sup>™</sup>  
 GX200 6.5HP



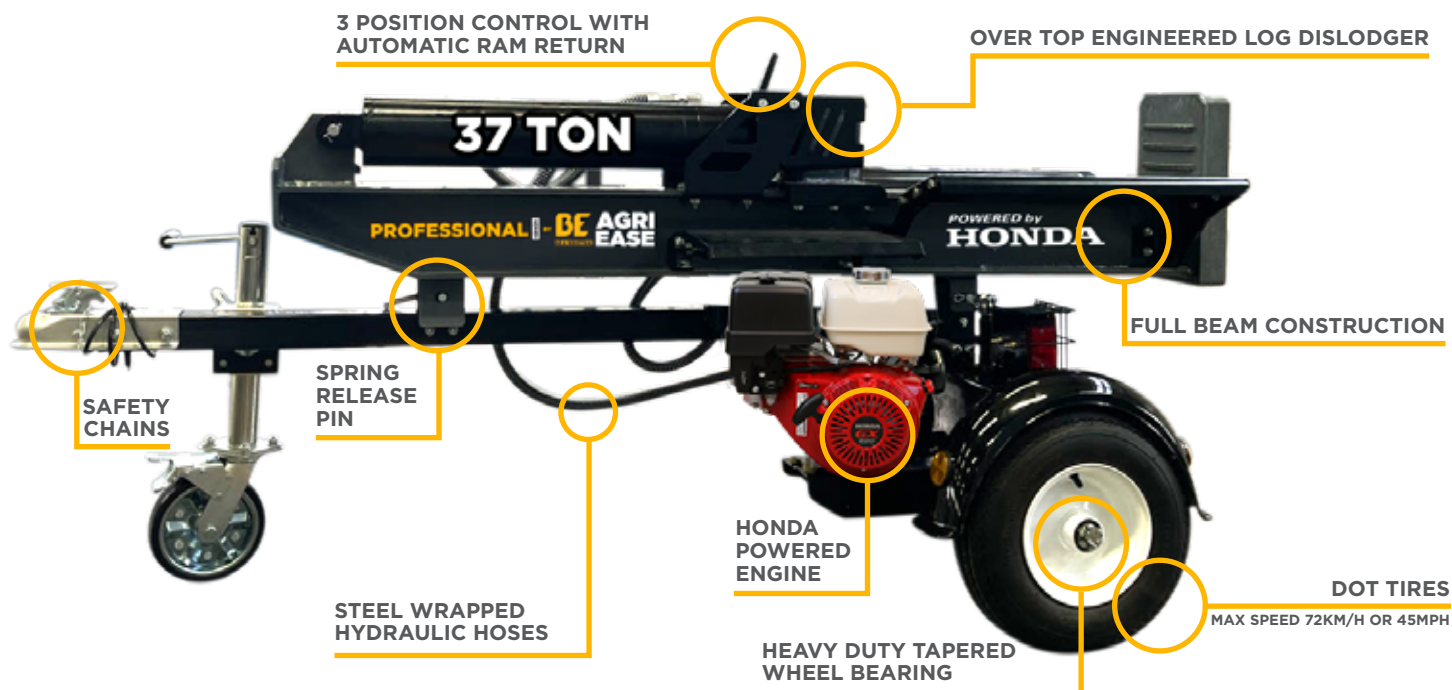
<b>28 TON</b> SPLITTING FORCE	<b>7 HP</b> POWER EASE ENGINE	<b>6.5 HP</b> HONDA ENGINE	MINOR ASSEMBLY	HORIZONTAL & VERTICAL POSITION	2" BALL COUPLER	<b>OPTIONS</b> 4 WAY CROSS WEDGE LS4CW
----------------------------------	----------------------------------	-------------------------------	----------------	--------------------------------	-----------------	-------------------------------------------

PART #	BE-LS28DR	BE-LS28DH
SERIES	PROFESSIONAL	PROFESSIONAL
ENGINE	POWER EASE 212 CC / 7 HP	HONDA GX200 196 CC / 6.5 HP
SPLIT FORCE	28 TON	28 TON
LOG LENGTH	24"	24"
*SPLITTING DIAMETER	14"	14"
WEDGE HEIGHT	7"	7"
CYCLE TIME - FORWARD	11 SECONDS	11 SECONDS
CYCLE TIME - REVERSE	9.5 SECONDS	9.5 SECONDS
PUMP	13 GPM	13 GPM
MAX PRESSURE	3450 PSI	3450 PSI
CYLINDER	4.5" X 24"	4.5" X 24"
SHIPPING WEIGHT	624 LBS	624 LBS
RESERVOIR CAPACITY	18.9 L / 5 GAL	18.9 L / 5 GAL
CYLINDER CAPACITY	5.4 L / 1.4 GAL	5.4 L / 1.4 GAL

# 37 TON DELUXE LOG SPLITTERS

POWERED by **HONDA**  
 OPTIONAL POWER EASE ENGINE

**HONDA**  
 GX270 9HP



**37 TON**  
 SPLITTING FORCE

**7 HP**  
 POWEREASE ENGINE

**9 & 13 HP**  
 HONDA ENGINES

MINOR ASSEMBLY

HORIZONTAL & VERTICAL POSITION

2" BALL COUPLER

**OPTIONS**  
**4 WAY CROSS WEDGE**  
 LS4CW

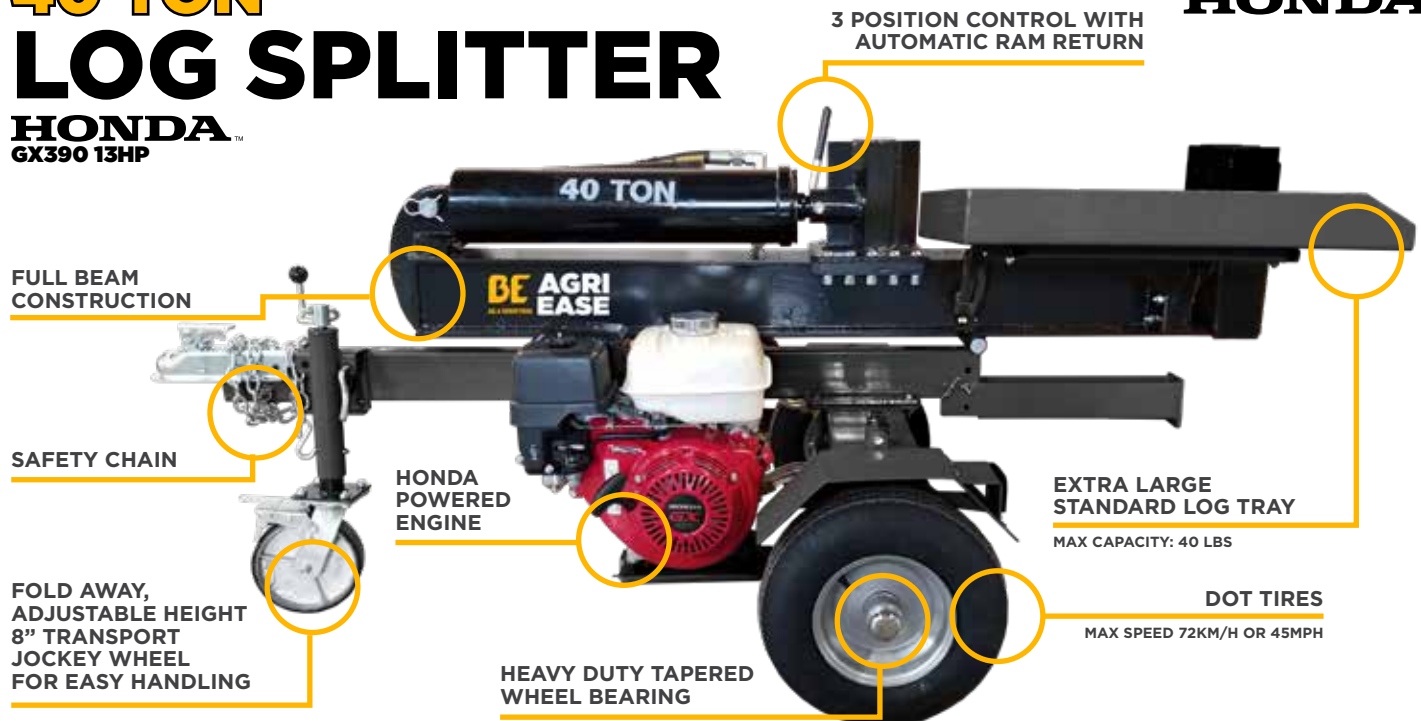
PART #	BE-LS37DR	BE-LS37DH9	BE-LS37DH
SERIES	PROFESSIONAL	PROFESSIONAL	PROFESSIONAL
ENGINE	POWEREASE 212 CC / 7 HP	HONDA GX270 270 CC / 9 HP	HONDA GX390 389 CC / 13 HP
SPLIT FORCE	37 TON	37 TON	37 TON
LOG LENGTH	24"	24"	24"
*SPLITTING DIAMETER	14"	14"	14"
WEDGE HEIGHT	7"	7"	7"
CYCLE TIME - FORWARD	11 SECONDS	11 SECONDS	11 SECONDS
CYCLE TIME - REVERSE	9.5 SECONDS	9.5 SECONDS	9.5 SECONDS
PUMP	16 GPM	16 GPM	16 GPM
MAX PRESSURE	3500 PSI	3500 PSI	3500 PSI
CYLINDER	5" X 24"	5" X 24"	5" X 24"
SHIPPING WEIGHT			
RESERVOIR CAPACITY	18.9 L / 5 GAL	18.9 L / 5 GAL	18.9 L / 5 GAL
CYLINDER CAPACITY	6.4 L / 1.7 GAL	6.4 L / 1.7 GAL	6.4 L / 1.7 GAL



# 40 TON LOG SPLITTER

**HONDA**  
GX390 13HP

POWERED by **HONDA**™



3 POSITION CONTROL WITH AUTOMATIC RAM RETURN

FULL BEAM CONSTRUCTION

SAFETY CHAIN

FOLD AWAY, ADJUSTABLE HEIGHT 8" TRANSPORT JOCKEY WHEEL FOR EASY HANDLING

HONDA POWERED ENGINE

HEAVY DUTY TAPERED WHEEL BEARING

EXTRA LARGE STANDARD LOG TRAY  
MAX CAPACITY: 40 LBS

DOT TIRES  
MAX SPEED 72KM/H OR 45MPH

<b>40 TON</b> SPLITTING FORCE	<b>13 HP</b> HONDA ENGINE	INCLUDES OIL	HORIZONTAL & VERTICAL POSITION	2" BALL COUPLER	<b>OPTIONS</b> 40 TON 4 WAY CROSS WEDGE LS4W40
----------------------------------	------------------------------	--------------	--------------------------------	-----------------	------------------------------------------------------

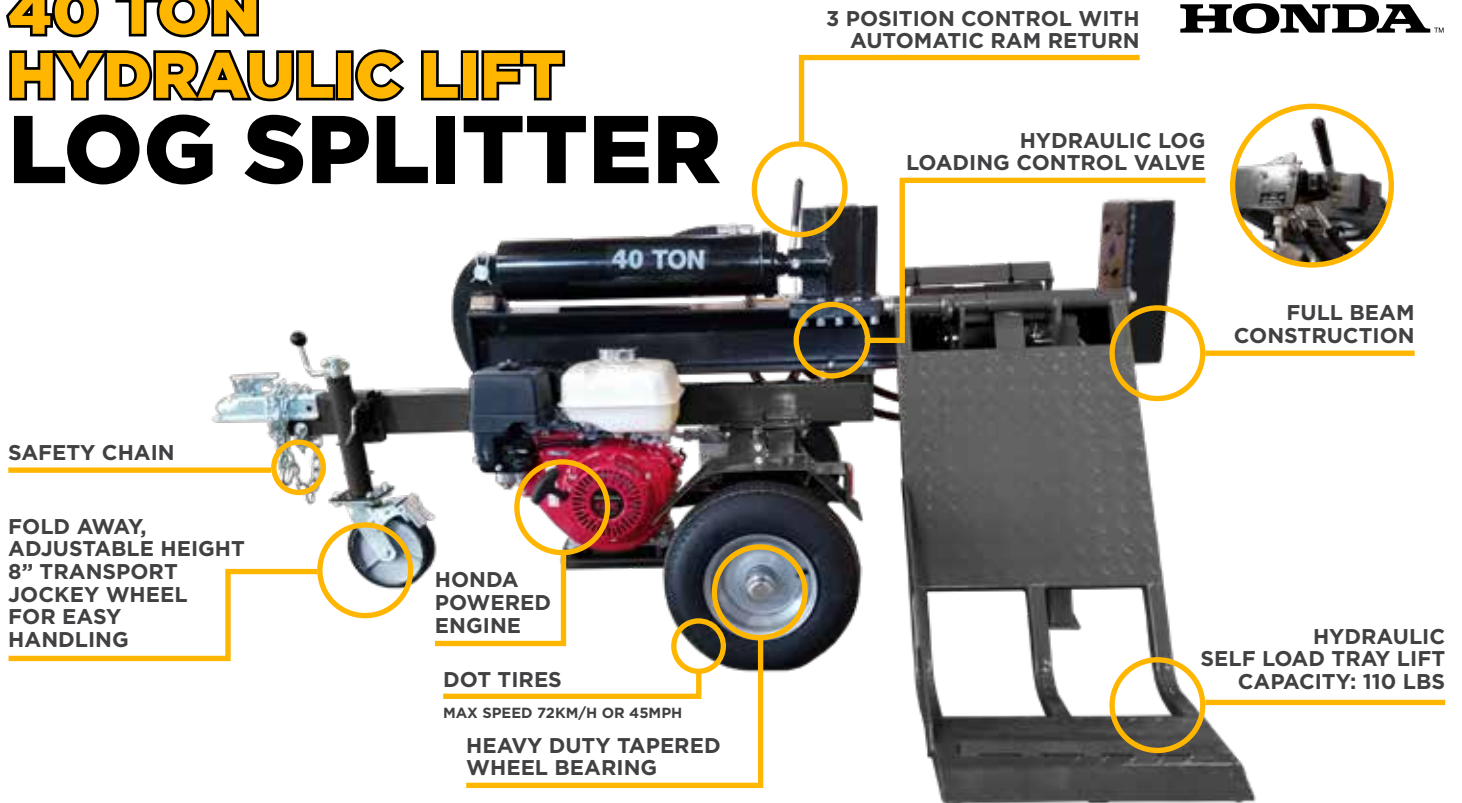
PART#	BE-LS40TS390
ENGINE	HONDA GX390 389 CC / 13 HP
SPLIT FORCE	40 TON
LOG LENGTH	21-1/2"
*SPLITTING DIAMETER	16"
WEDGE HEIGHT	8"
CYCLE TIME	18 SECONDS
PUMP	16 GPM HI-LO
MAX PRESSURE	3500 PSI
CYLINDER	5" X 20"
SHIPPING WEIGHT	664 LBS
OIL CAPACITY	16 L TANK / 6.5 L CYLINDER

\* SPLITTING DIAMETER VARIES WITH TYPE OF WOOD AND ENVIRONMENTAL CONDITIONS



# 40 TON HYDRAULIC LIFT LOG SPLITTER

POWERED by **HONDA**™



<b>40 TON</b> SPLITTING FORCE	<b>13 HP</b> HONDA ENGINE	 2" BALL COUPLER	 SELF LOAD HYDRAULIC TRAY LIFT	<b>OPTIONS</b> 40 TON 4 WAY CROSS WEDGE LS4W40 
----------------------------------	------------------------------	--------------------------------------------------------------------------------------------------------	----------------------------------------------------------------------------------------------------------------------	--------------------------------------------------------------------------------------------------------------------------------------------

PART#	BE-LS40TSF390
ENGINE	HONDA GX390 389 CC / 13 HP
SPLIT FORCE	40 TON
LOG LENGTH	21-1/2"
*SPLITTING DIAMETER	16"
WEDGE HEIGHT	8"
CYCLE TIME	18 SECONDS
PUMP	16 GPM HI-LO
MAX PRESSURE	3500 PSI
CYLINDER	5" X 20"
WEIGHT	700 LBS
OIL CAPACITY	16 L TANK / 6.5 L CYLINDER



\* SPLITTING DIAMETER VARIES WITH TYPE OF WOOD AND ENVIRONMENTAL CONDITIONS



# LOG SPLITTER ACCESSORIES

## LOG SPLITTER STAND



PART #	LS5TELLSTAND	
OPERATING HEIGHT	24"	
ATTACHES TO	LS5TELL	LS7TELL

## 4 WAY CROSS WEDGE

6 TON ELECTRIC



PART #	LS4CWE	
ATTACHES TO	LS6TE	

## 4 WAY CROSS WEDGE



PART #	LS4CW		
ATTACHES TO	BE-LS25T3PT	BE-LS25ER	BE-LS25EK
	BE-LS25EH	BE-LS28DR	BE-LS28DH
	BE-LS37DR	BE-LS37DH9	BE-LS37DH

## 4 WAY CROSS WEDGE



PART #	LS4LWEDGE-NS25T	
ATTACHES TO	BE-LS25TLE65070	BE-LS25TLEK
	BE-LS25TLE65GX	BE-LS35TLE270GX

## 4 WAY CROSS WEDGE



PART #	LS4LWEDGE-NS	
ATTACHES TO	BE-LS22TL65070	BE-LS22TLK
	BE-LS22TL65065GX	BE-LS28TEK
	BE-LS28TL65065GX	BE-LS34TL6509GX

## 4 WAY CROSS WEDGE



PART #	LS4W40	
ATTACHES TO	BE-LS40TS390	BE-LS40TSF390

# 7 HP & 15HP POWEREASE ENGINES

**POWEREASE**



PART #	85.570.070	85.570.150	85.575.150
ENGINE TYPE	AIR-COOLED 4-STROKE OHV	AIR-COOLED 4-STROKE OHV	AIR-COOLED 4-STROKE OHV
DISPLACEMENT	212 CC	420 CC	420 CC
STARTING SYSTEM	RECOIL	RECOIL	ELECTRIC
IGNITION SYSTEM	TRANSISTORIZED MAGNETO	TRANSISTORIZED MAGNETO	TRANSISTORIZED MAGNETO
COMPRESSION RATIO	8.5:1	8.2:1	8.2:1
AMP CHARGE	N/A	N/A	18
FUEL TANK CAPACITY	3.6 LITER	6.7 LITER	6.7 LITER
FUEL	UNLEADED 86 OCTANE OR HIGHER	UNLEADED 86 OCTANE OR HIGHER	UNLEADED 86 OCTANE OR HIGHER
CARBURETOR	HORIZONTAL TYPE BUTTERFLY VALVE	HORIZONTAL TYPE BUTTERFLY VALVE	HORIZONTAL TYPE BUTTERFLY VALVE
LUBRICATION SYSTEM	SPLASH	SPLASH	SPLASH
OIL CAPACITY	0.6 LITER (0.63 U.S. QTS)	1.1 LITER (1.16 U.S. QTS)	1.1 LITER (1.16 U.S. QTS)
LOW OIL SHUTDOWN	YES	YES	YES
SHAFT SIZE	3/4" STRAIGHT KEYED	1" STRAIGHT KEYED	1" STRAIGHT KEYED
KEY WAY SIZE	3/16" X 1-3/4"	1/4" X 2.2"	1/4" X 2.2"
SHAFT ROTATION	COUNTERCLOCKWISE (HORIZONTAL SHAFT OUTPUT)	COUNTERCLOCKWISE (HORIZONTAL SHAFT OUTPUT)	COUNTERCLOCKWISE (HORIZONTAL SHAFT OUTPUT)
NET TORQUE	9.1 LB-FT (12.4 NM) @ 2,500 RPM	17.8 LB-FT (24 NM) @ 2,500 RPM	17.8 LB-FT (24 NM) @ 2,500 RPM
NET POWER OUTPUT	6.03 HP (4.5 KW) @ 3,600 RPM	12.6 HP (9.4 KW) @ 3,600 RPM	12.6 HP (9.4 KW) @ 3,600 RPM
PTO BOLT SIZE	5/16-24 UNF	3/8-24 UNF	3/8-24 UNF
BORE X STROKE	68 MM X 54 MM	88 MM X 64 MM	88 MM X 64 MM
AIR CLEANER	DUAL ELEMENT	DUAL ELEMENT	DUAL ELEMENT
VALVE CLEARANCE	INTAKE: 0.06" OUTTAKE: 0.08"	INTAKE: 0.06" OUTTAKE: 0.08"	INTAKE: 0.06" OUTTAKE: 0.08"
DRY WEIGHT	35 LBS	68 LBS	70 LBS
SHIPPING (LXWXH)	15.15" X 13.38" X 13.38"	16.14" X 17.71" X 17.71"	16.14" X 17.71" X 17.71"

## REPLACEMENT PARTS

CARBURETOR ASSEMBLY	85.571.009	85.571.028	85.571.028
AIR CLEANER ASSEMBLY	85.571.010	85.571.029	85.571.029
MUFFLER ASSEMBLY	85.571.011	85.571.030	85.571.030
RECOIL STARTER ASSEMBLY	85.571.006	85.571.026	85.571.026





# MINI CULTIVATOR TILLER

SAFETY THROTTLE CONTROL

ERGONOMIC HANDLES

POWERFUL 2 STROKE ENGINE

LARGE ADJUSTABLE TRANSPORTATION WHEELS

11-3/4" WIDTH



PART #	BE-MTR2
ENGINE	POWEREASE 3 HP / 52 CC
STARTER TYPE	RECOIL
FUEL CAPACITY (QTS/L)	0.85 QUARTS / 0.9 LITER
ENGINE CYCLE	2 STROKE
# OF BLADES	4
BLADE POSITION	FRONT
BLADE RPM	265
WORKING WIDTH	11-3/4"
TOTAL WIDTH	11-3/4"
TILLING DEPTH	4-1/4"
TIRE SIZE	7"
WEIGHT	32 LBS
TRANSMISSION	WORM GEAR
DRIVE SPEEDS	1 FWD

## REPLACEMENT WEAR PARTS

BLADE 1	102, 107B, 062
BLADE 2	102, 107B, 065
BLADE 3	102, 107B, 076
BLADE 4	102, 107B, 077

# CENTER TINE TILLER



LARGE RUGGED TERRAIN  
TRANSPORT WHEELS

3 TILLING WIDTH  
CONFIGURATIONS  
35-1/2"

UP TO  
**7"**  
MAX TILLING  
DEPTH

ADJUSTABLE  
TILLING  
WIDTH

PART #	BE-FTTR7
ENGINE	POWEREASE 7 HP / 212 CC
STARTER TYPE	RECOIL
FUEL CAPACITY (QTS/L)	3.8 QUARTS / 3.6 LITER
ENGINE CYCLE	4 STROKE
# OF BLADES	24
BLADE POSITION	REAR
BLADE RPM	125
WORKING WIDTH	35-1/2"
TOTAL WIDTH	35-1/2"
TILLING DEPTH	7"
TIRE SIZE	15-3/4"
WEIGHT	136 LBS
TRANSMISSION	CHAIN & BELT
DRIVE SPEEDS	2 FWD / 1 REV

**OPTIONS**  
**SIMPLE DITCHER**  
103.105B.700

**OPTIONS**  
**ADJUSTABLE DITCHER**  
103.105B.750

**OPTIONS**  
**PLOW**  
103.105B.800

**REPLACEMENT WEAR PARTS**

BLADE LH	103, 105B, 152
BLADE RH	103, 105B, 153

# REAR TINE TILLER

★**BEST  
SELLER**



\*PRODUCT MAY NOT BE EXACTLY AS SHOWN

PART #	BE-RTR7
ENGINE	POWEREASE 7 HP / 212 CC
STARTER TYPE	RECOIL
FUEL CAPACITY (QTS/L)	3.4 QUARTS / 3.6 LITER
ENGINE CYCLE	4 STROKE
# OF BLADES	4
BLADE POSITION	REAR
BLADE RPM	3600
WORKING WIDTH	19"
TOTAL WIDTH	19"
TILLING DEPTH	13-3/4"
TIRE SIZE	12"
WEIGHT	155 LBS
TRANSMISSION	WORM GEAR
DRIVE SPEEDS	5 FWD / 2 REV

## REPLACEMENT WEAR PARTS

BLADE LH	102.108C.095
BLADE RH	102.108
FORWARD BELT	102.108C.028
REVERSE BELT	102.108C.044

# BELT DRIVE REAR TINE TILLER

19"

**HONDA**  
GX200 6.5HP

★**BEST  
SELLER**

POWERED by  
**HONDA**<sup>™</sup>  
OPTIONAL  
POWER EASE ENGINE



SAFETY  
CLUTCH CONTROL

2 FORWARD & 1 REVERSE  
DRIVE SPEEDS

ADJUSTABLE  
TILLING  
DEPTH

ROUGH  
TERRAIN TIRES

19" WIDTH

\*PRODUCT MAY NOT BE EXACTLY AS SHOWN

PART #	BE-BRTR7	BE-BRTH65
ENGINE	POWEREASE 7 HP / 212 CC	HONDA GX200 6.5 HP / 196 CC
STARTER TYPE	RECOIL	RECOIL
FUEL CAPACITY (QTS/L)	3.4 QUARTS / 3.6 LITER	3.4 QUARTS / 3.6 LITER
ENGINE CYCLE	4 STROKE	4 STROKE
# OF BLADES	4	4
BLADE POSITION	REAR	REAR
BLADE RPM	3600	3600
WORKING WIDTH	19"	19"
TOTAL WIDTH	19"	19"
MAX TILLING DEPTH	13-3/4"	13-3/4"
TIRE SIZE	12"	12"
WEIGHT	155 LBS	155 LBS
TRANSMISSION	BELT DRIVE	BELT DRIVE
DRIVE SPEEDS	2 FWD / 1 REV	2 FWD / 1 REV

## REPLACEMENT WEAR PARTS

BLADE LH	102.108C.095	102.108C.095
BLADE RH	102.108	102.108
FORWARD BELT	102.108C.028	102.108C.028
REVERSE BELT	102.108C.044	102.108C.044



# TRIMMER MOWER



**IDEAL FOR HEAVY UNDERGROWTH, SLOPES, AND UNDER TREES**

**2-4" CUTTING HEIGHT**  
**20.5" WORKING WIDTH**

PART #	BE-TMLR38
ENGINE	VERTICAL POWEREASE 3.3 HP / 143.5 CC
STARTER TYPE	RECOIL
FUEL CAPACITY (QTS/L)	0.76 QUARTS / 0.8 LITER
ENGINE CYCLE	4 STROKE
LINE RPM	3600
WORKING WIDTH	20-1/2"
TOTAL WIDTH	21-1/4"
CUTTING HEIGHT	2-4"
CUTTING LINE DIAMETER	1/8"
TIRE SIZE	14"
WEIGHT	82 LB



**19" REPLACEMENT TRIMMER LINE**

USES 19" LONG 1/8"/3 MM SQUARE TRIMMER LINE



# HEAVY DUTY LEAF BLOWER

ERGONOMIC HANDLE DESIGN

COMPACT DESIGN FOR EASY  
MANEUVERABILITY



HIGH VOLUME 150 MPH,  
1270 CFM BLOWING FORCE



RUGGED MULTI-TERRAIN WHEELS

ADJUSTABLE FOR MAXIMUM COVERAGE

PART #	BE-LBR55
ENGINE	POWEEASE 212 CC / 7 HP
WEIGHT	112 LBS
ROTOR DEPTH	360 MM
ROTOR DEPTH	96-1/2 MM
AIR FLOW	150 MPH
AIR VOLUME	1270 CFM



# REAR WEIGHT BOX

3.67 FT<sup>3</sup> / 550 LB CAPACITY

**NEW!**



CAT 1, QUICK HITCH COMPATIBLE

2 SLEEVES FOR HOLDING COMMON TOOLS

SLIDING DOOR FOR EASY ACCESS TO INTERIOR

2" SQUARE RECEIVER WITH 5/8" HOLE

INCLUDES LIFT ARM PINS & TOP LINK PIN

INDUSTRIAL POWDER COATED FINISH

FILL GUIDE	
FILL TYPE	WEIGHT PER FT <sup>3</sup>
CONCRETE	150 LBS
GRAVEL	110 LBS
SAND	100 LBS

PART #	BE-RWB1
HITCH	CAT 1
BOX VOLUME	3.67 FT <sup>3</sup>
CAPACITY (WITH BOX)	575 LBS
CAPACITY (FILL ONLY)	550 LBS
QUICK HITCH COMPATIBLE	YES
SHIPPING WEIGHT	104 LBS
OVERALL DIMENSIONS	26-1/8" X 13-7/8" X 28-3/4"

# 1 & 2 LITER COMMERCIAL HANDHELD SPRAYERS



PART #	90.704.001	90.704.002
CAPACITY	1 LITER / 1 QUART	2 LITER / 2 QUART

# 4, 6 & 8 LITER COMMERCIAL HANDHELD SPRAYERS



PART #	90.704.004	90.704.006	90.704.008
CAPACITY	4 LITER / 1 GALLON	6 LITER / 1.5 GALLON	8 LITER / 2 GALLON

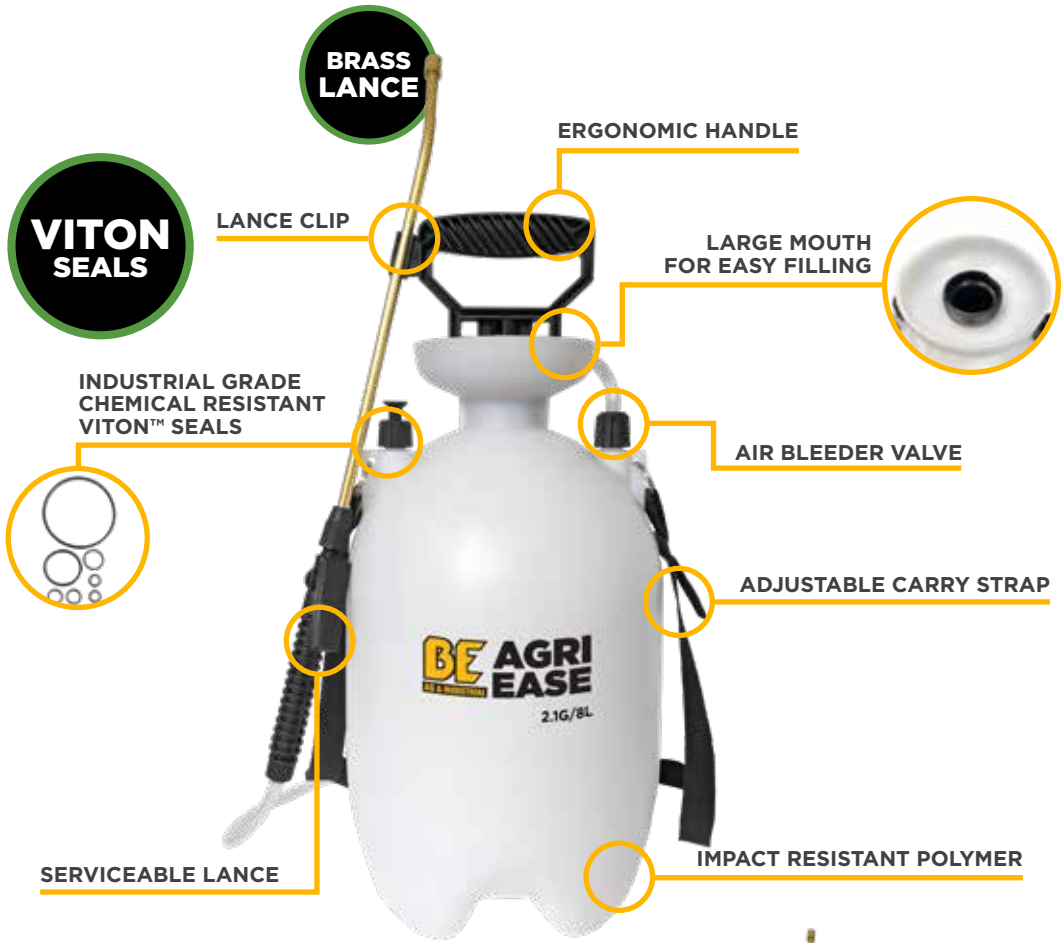
# 8 & 12 LITER INDUSTRIAL HANDHELD SPRAYERS

**VITON™ SEALS** OFFER A WIDE RANGE OF CHEMICAL RESISTANCES AND DO NOT DEGRADE QUICKLY FROM EITHER WEATHER, OZONE OR UV EXPOSURE.

VITON™ SEALS ARE AN EXCELLENT OPTION FOR MOST APPLICATIONS INVOLVING OILS, FUELS, AND MINERAL ACIDS.

VITON™ SEALS OFFER EXCELLENT COMPRESSION RESISTANCE AND ARE DESIGNED TO RESIST MOST OILS AND LUBRICANTS - ESPECIALLY PETROLEUM-BASED LUBRICANTS.

HOWEVER, VITON™ SEALS ARE LESS RESISTANT TO ABRASIONS AND TEARS. BECAUSE OF THIS, VITON™ SEALS CAN BE USED IN AN EXTENSIVE LIST OF DIVERSE APPLICATIONS.



PART #	90.703.008	90.703.012
CAPACITY	8 LITER / 2 GALLON	12 LITER / 3 GALLON

# 16 LITER / 4 GALLON INDUSTRIAL BACKPACK SPRAYER

90.704.016



RIGHT/LEFT MULTI-POSITION PUMP HANDLE

VITON SEALS

INDUSTRIAL GRADE CHEMICAL RESISTANT VITON™ SEALS

DUAL LANCE CLIP

EXTRA WIDE PADDED SHOULDER STRAPS

4 SPRAY TIPS INCLUDED

FLAT FAN SPRAY TIP



CONICAL SPRAY TIP



4-HOLE ADJUSTABLE SPRAY TIP



DUAL CONICAL SPRAY TIP



# 16 LITER / 4 GALLON INDUSTRIAL PORTABLE SPRAYER

90.710.016



LARGE ANTI-SPILL SPLASH GUARD

STORAGE COMPARTMENT FOR EXTRA NOZZLES

LIGHTWEIGHT, ALUMINUM RUST RESISTANT HANDLE

HEIGHT ADJUSTABLE HANDLE

LARGE WHEELS

# 34 LITER / 9 GALLON SPOT SPRAYER

90.700.100



# 34 LITER / 9 GALLON LITHIUM-ION TURF SPRAYER

90.709.014



EASY TO REACH LIGHTED POWER SWITCH

ADJUSTABLE HANDLE FOR PULL SPRAYING & EASY STORAGE

WIRE BRAIDED NYLON HOSE

SINGLE BROADCAST DEFLECTOR NOZZLE WITH 50' SWATH

12" NEVER FLAT, HEAVY DUTY WHEELS

14.4 VOLT LITHIUM ION BATTERY FOR LONG LASTING POWER



REMOVABLE BAR FOR TOWING BEHIND ATV OR RIDE ONS



1.0 GPM EVERFLO PUMP FOR CONTINUOUS FLOW



# 15 & 25 GALLON SPOT SPRAYERS



## OPTIONAL ACCESSORIES



PART #	90.700.150	90.700.250
CAPACITY	15 GALLON	25 GALLON
PUMP	DELAVAN 1.0 GPM, 12V	DELAVAN 1.0 GPM, 12V

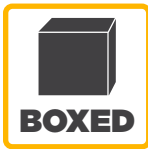
### REPLACEMENT WEAR PARTS

PUMP	90.220.201	90.220.201
------	------------	------------

### OPTIONAL ACCESSORIES

PART#	DESCRIPTION
90.700.302	7' COVERAGE BOOM, 2 NOZZLES. USE WITH A MINIMUM 1.8 GPM PUMP*
90.700.303	BRACKET KIT FOR ATV, SINGLE
90.700.304	10' COVERAGE FOLDING BOOM, 3 NOZZLES. USE WITH A MINIMUM 1.8 GPM PUMP*

# 25 GALLON ATV SPRAYER



PART #	90.712.250	90.713.250
CAPACITY	25 GALLON	25 GALLON
BOOM	2 NOZZLE FIXED	3 NOZZLE FOLDING
BOOM SPRAY COVERAGE	7'	10'

## REPLACEMENT WEAR PARTS

PUMP	90.241.220	90.241.220
------	------------	------------



# 15 & 25 GALLON TRAILER SPRAYER



PART #	90.800.150	90.800.250
CAPACITY	15 GALLON	25 GALLON

#### REPLACEMENT WEAR PARTS

PUMP	90.780.230	90.241.220
------	------------	------------

#### OPTIONAL SPRAY BOOMS

PART#	DESCRIPTION
90.700.304	FOLDING BOOM KIT, 10' COVERAGE 3 NOZZLE
90.700.314	FOLDING BOOM, 4 NOZZLES, 14' COVERAGE USE WITH MINIMUM 1.8 GPM PUMP
90.700.306	BOOMLESS NOZZLE KIT, SINGLE
90.700.307	BOOMLESS NOZZLE KIT, DOUBLE



# 40 GALLON TRAILER SPRAYER



 <b>BOXED</b>	 <b>BUNA SEALS</b>	 <b>MINOR ASSEMBLY</b>	 <b>10' BOOM SPRAY COVERAGE</b>
----------------------------------------------------------------------------------------------------	----------------------------------------------------------------------------------------------------------	--------------------------------------------------------------------------------------------------------------	-----------------------------------------------------------------------------------------------------------------------

PART #	90.800.400
CAPACITY	40 GALLON
BOOM SPRAY COVERAGE	10'

- On-Off boom control
- Adjustable pressure with return to tank
- Glyphosate compatible

## REPLACEMENT WEAR PARTS

PUMP	90.241.220
REPLACEMENT TIP	90.140.025

# 40 GALLON 3 POINT SPRAYERS

ALL MODELS INCLUDE:  
PUMP  
FLOW CONTROL  
VALVE  
SPOT GUN  
& BOOM



PRESSURE  
CONTROL & GAUGE

HANDGUN  
WITH 15' HOSE



3 POINT FRAME

FOLDING BOOM SPRAYER  
WITH 10' SPRAY COVERAGE

PART #	BE-RMES40	BE-RMS40
CAPACITY	40 GALLON	40 GALLON
PUMP	12V PUMP	ROLLER PUMP

## REPLACEMENT PARTS

PUMP	90.240.220	6900C
------	------------	-------

# 60 GALLON 3 POINT SPRAYERS

ALL MODELS INCLUDE:  
PUMP  
FLOW CONTROL  
VALVE  
SPOT GUN  
& BOOM



PRESSURE CONTROL & GAUGE

HANDGUN  
WITH 15' HOSE



3 POINT FRAME

3 SECTION, 3 NOZZLE FOLDING  
BOOM WITH 10' SPRAY COVERAGE

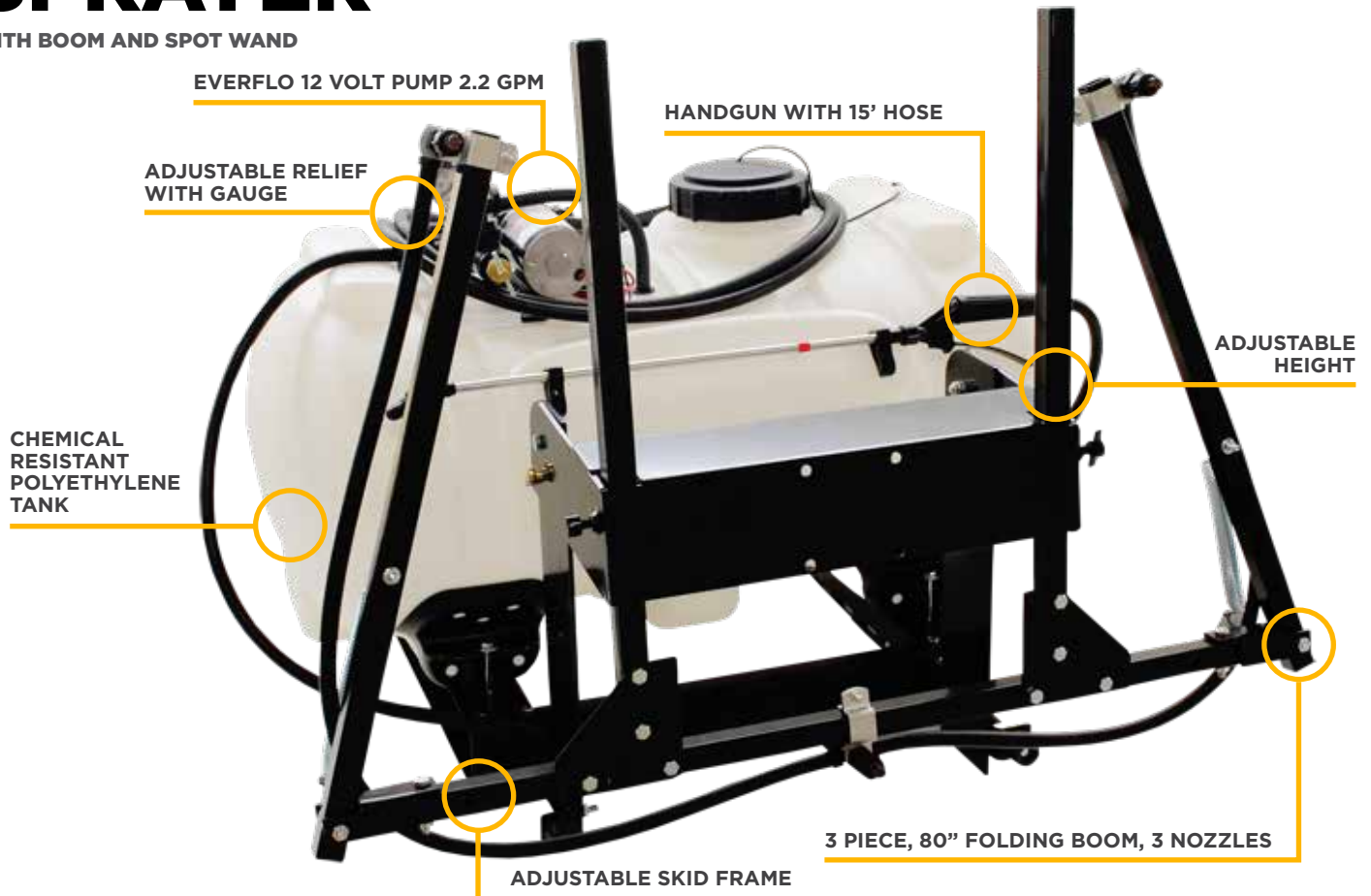
PART #	BE-RMES60	BE-RMS60
CAPACITY	60 GALLON	60 GALLON
PUMP	12V PUMP	ROLLER PUMP

## REPLACEMENT WEAR PARTS

PUMP	90.240.220	6900C
------	------------	-------

# 40 & 60 GALLON RTV MOUNT SPRAYER

WITH BOOM AND SPOT WAND



PART #	BE-RTVMS40	BE-RTVMS60
CAPACITY	40 GALLON	60 GALLON
PUMP	EVERFLO 12V	EVERFLO 12V

## REPLACEMENT WEAR PARTS

PUMP	90.240.220	90.240.220
------	------------	------------

- 2.2 GPM / 8.3 LPM, 70 PSI / 4.5 Bars
- Fits most RTV boxes
- Includes remote switch
- Rubber bumpers ensure a snug fit over the RTV tailgate to minimize sliding in box



**FLEXIBLE SPRING LOADED BOOM**

# 40 & 60 GALLON SKID MOUNT SPRAYER



PART #	BE-SMSE40-10	BE-SMSE60-10
CAPACITY	40 GALLON	60 GALLON
PUMP	1.8 GPM 12V	2.0 GPM 12V

**REPLACEMENT WEAR PARTS**

PUMP	90.543.936	90.240.220
------	------------	------------

**INCLUDES**

**PRESSURE REGULATOR**

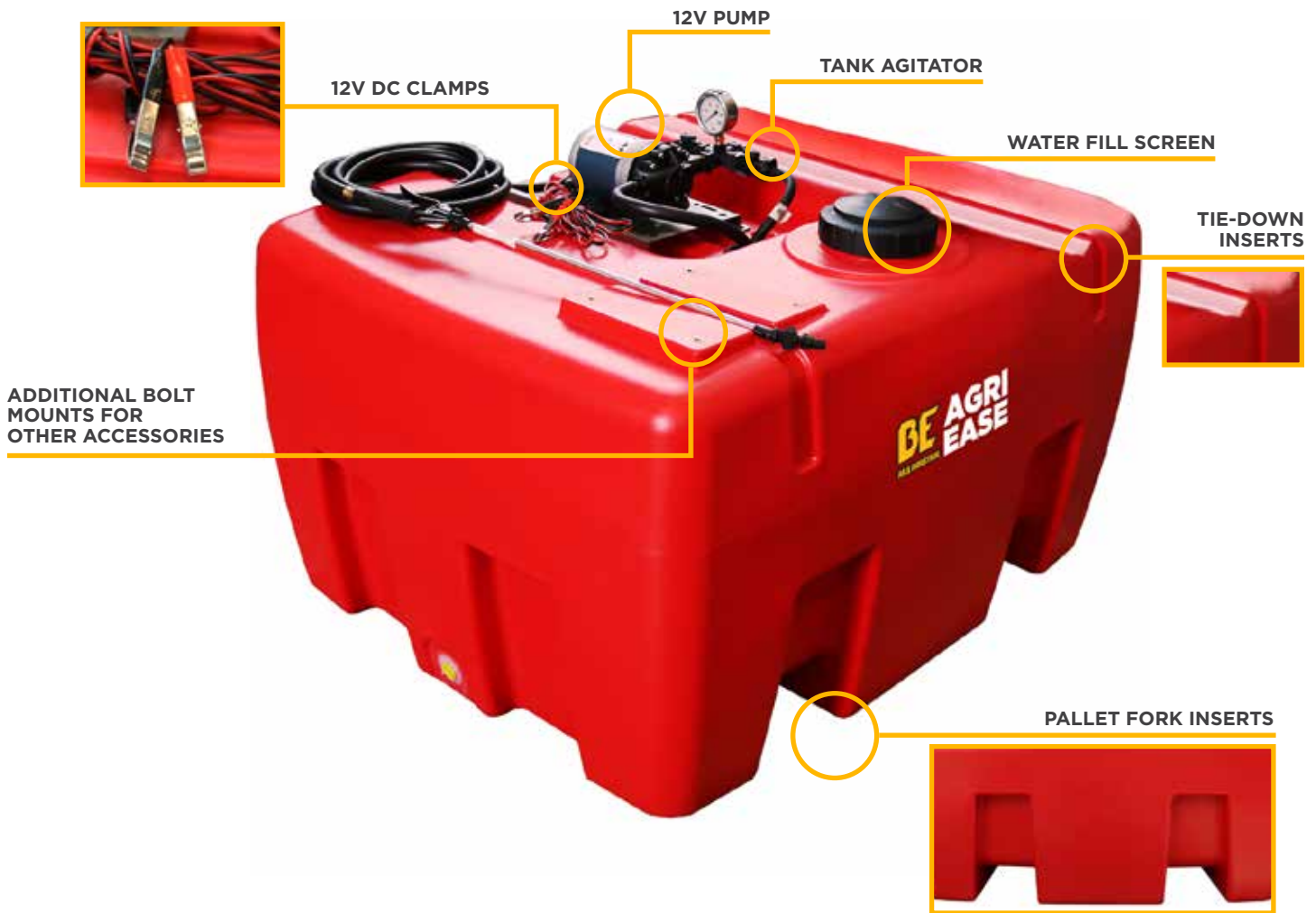
**10' COVERAGE FOLDING BOOM, 3 NOZZLES. USE W/MIN 1.8 GPM PUMP**

**FOLDING BOOM KIT**

90.700.304

# 400 LITER / 105 GALLON PORTABLE SPRAYER

WITH TANK & 12V PUMP



PART #	90.870.400
CAPACITY	400 LITER / 105 GALLON
PUMP	12 V
MAX PSI	100 PSI @ 2.55 GPM
MAX GPM	7 GPM @ 10 PSI

## REPLACEMENT WEAR PARTS

PUMP	90.787.111
SPRAY GUN	U45050006
GAUGE	85.300.100

POWERED by  
**HONDA™**

# 400 LITER / 105 GALLON PORTABLE SPRAYER

WITH TANK & AR PUMP

**HONDA™**  
GX200 6.5HP

AR30 PUMP  
WITH 196 CC HONDA  
GX200 ENGINE

HAND GUN WITH  
150' HOSE & HOSE REEL

TIE-DOWN INSERTS



PALLET FORK INSERTS



PART #	90.830.400
CAPACITY	400 LITER / 105 GALLON
PUMP	AR30
ENGINE	HONDA GX200 196 CC / 6.5 HP

**REPLACEMENT WEAR PARTS**

PUMP	90.100.030
SPRAY GUN	90.300.002

# 400 LITER / 105 GALLON PORTABLE FIRE SUPPRESSION TANK

POWERED by  
**HONDA™**

**HONDA™**  
GX200 6.5HP



\*WARNING: DO NOT USE TO ATTACK FIRE LINE

PART #	90.895.400
CAPACITY	400 LITER / 105 GALLON
PUMP	HP-2065HR
ENGINE	HONDA GX200 196 CC / 6.5 HP
HOSE SIZE	3/4" X 100'
MAX GPM	126 GPM
MAX PSI	85 PSI

## REPLACEMENT WEAR PARTS

FIRE NOZZLE	50.015.002
PUMP SEAL KIT	85.571.143
PUMP PLUG KIT	85.571.144

## OPTIONS

SEE OUR FULL RANGE OF  
RATCHET STRAPS AT  
**BRABEREG.COM**





# 200 LB TRAILER DOLLY

81.200.600



# HAY BALE UTILITY DOLLY

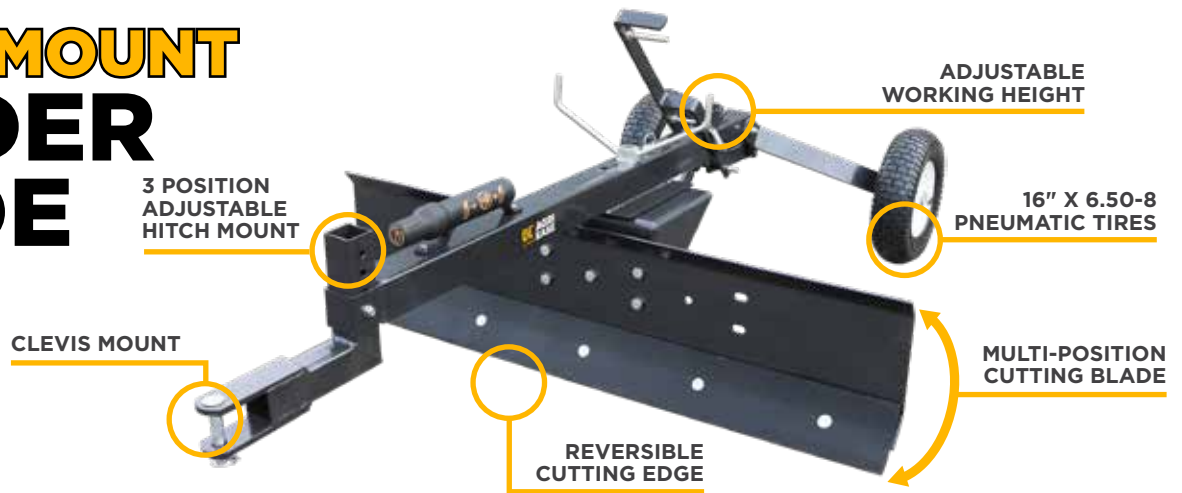
81.000.001



HEAVY DUTY  
LARGE CAPACITY

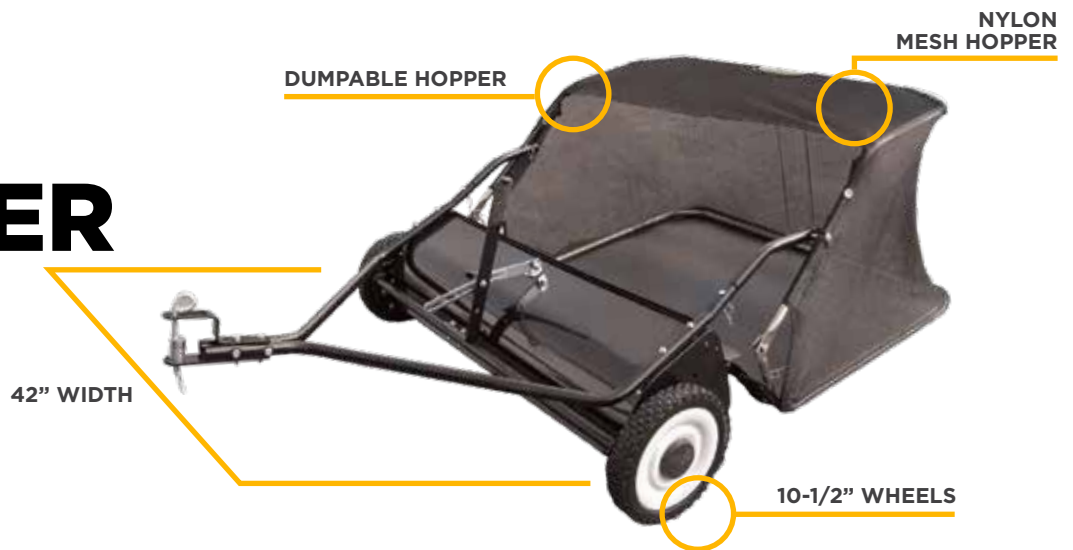
# ATV CLEVIS MOUNT GRADER BLADE

BE-GBA5G



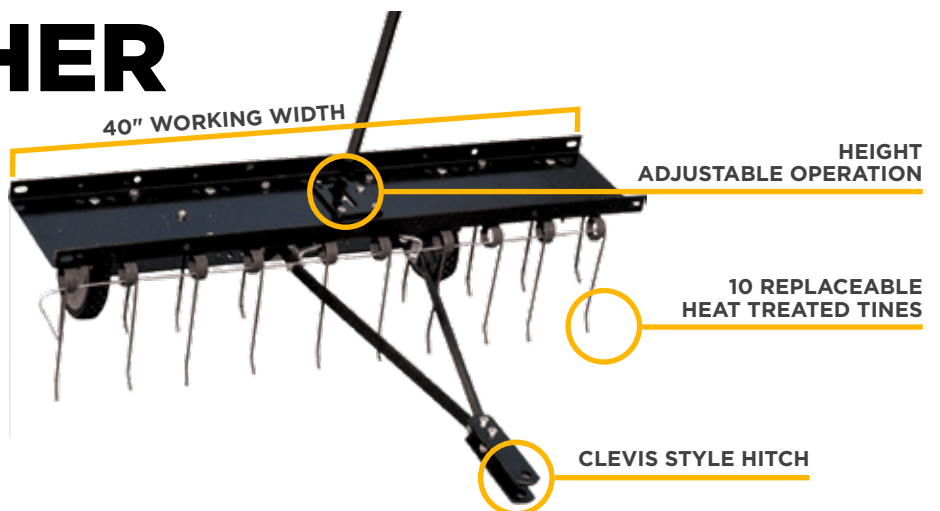
# 42" LAWN CLIPPING SWEEPER

SW42T



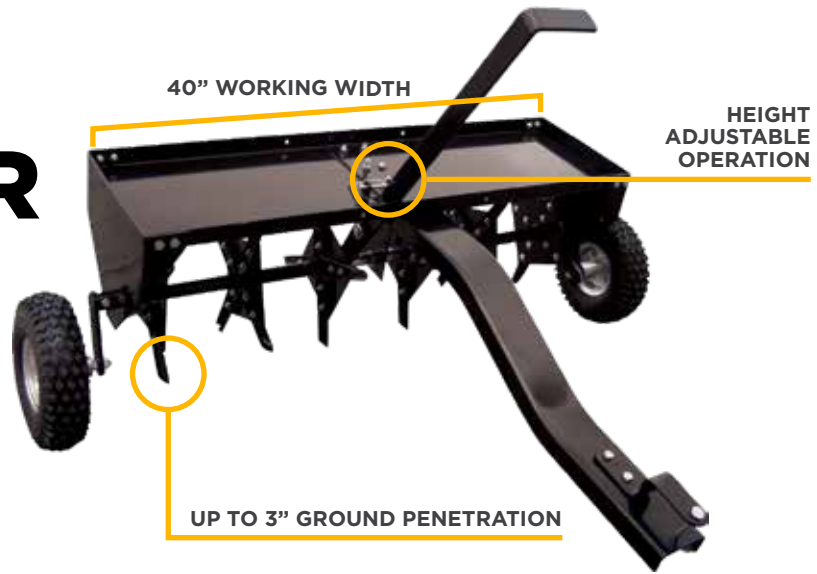
# 40" TINE DETHATCHER

81.200.001



# 40" TRAILED AERATOR

81.200.004



# SPIKE AERATOR DRUM

48", 60"



PART#	81.200.040	81.200.041
SIZE	48"	60"
CAPACITY	392 LB	489 LB

# FLAT BALLAST ROLLER

48", 60"



PART#	81.200.020	81.200.021
SIZE	48"	60"
CAPACITY	379 LB	467 LB

# 350 LB ATV PULL FERTILIZER SPREADER

MFS350T



IDEAL FOR USE WHEN A PTO  
IS NOT AVAILABLE  
SPREADS SEED, FERTILIZER,  
SAND & SALT

STEEL SQUARE HOPPER

ADJUSTABLE  
SPREADING COVERAGE

HEAVY DUTY CAST IRON,  
OIL BATH GEARBOX

ADJUSTABLE TOWBAR

14" LARGE  
PNEUMATIC TIRES



# 250 LB TOWABLE SPREADER

PFS105T



IDEAL FOR USE WHEN A PTO  
IS NOT AVAILABLE  
SPREADS SEED, FERTILIZER,  
SAND & SALT

14" LARGE  
PNEUMATIC TIRES

INCLUDES HOPPER COVER

CLEVIS HITCH



# 125 LB WALK BEHIND SPREADER

PFSS60P



INCLUDES  
SCREEN & RAIN  
HOPPER COVER KIT

ERGONOMIC HANDLES

INTERNAL STAINLESS  
STEEL FITTINGS

14" LARGE  
PNEUMATIC TIRES





# METAL DUMP CARTS



**EASY ASSEMBLY**  
TAKES 15 MINUTES  
OR LESS.



# 500 LB CAPACITY METAL DUMP CART

TC5010



PART#	CAPACITY	TIRE SIZE	HEAPED LOAD SIZE	LEVEL LOAD SIZE	BODY DIMENSIONS	WEIGHT
TC5010	500 LB	16"	12 FT <sup>3</sup>	10 FT <sup>3</sup>	40.5" X 32.5" X 11.5"	83.7 LBS

\* NOT DESIGNED FOR ROAD USE

# 1500 LB CAPACITY METAL DUMP CART

TC5014HD



PART#	CAPACITY	TIRE SIZE	HEAPED LOAD SIZE	LEVEL LOAD SIZE	BODY DIMENSIONS	WEIGHT
TC5014HD	1500 LB	18"	17 FT <sup>3</sup>	14 FT <sup>3</sup>	42" X 30" X 16"	173 LBS

\* NOT DESIGNED FOR ROAD USE



# POLY DUMP CARTS



**HITCH CONNECTION**  
WORKS GREAT WITH  
LAWN & GARDEN TRACTORS,  
ATVS & OTHER SMALL  
UTILITY VEHICLES



**600 LB  
CAPACITY  
POLY  
DUMP  
CART**

TCP600



**1000 LB  
CAPACITY  
POLY  
DUMP  
CART**

TCP1000



**1200 LB  
CAPACITY  
POLY  
DUMP  
CART**

TCP1200



**1200 LB  
CAPACITY  
POLY  
DUMP  
CART**

TCP12004W



**1500 LB  
CAPACITY  
POLY  
DUMP  
CART**

TCP1500



**1500LB  
CAPACITY  
POLY  
DUMP  
CART**

TCP15004W



PART#	CAPACITY	TIRE SIZE	HEAPED LOAD SIZE	LEVEL LOAD SIZE	OVERALL DIMENSIONS	BODY DIMENSIONS
TCP600	600 LB	16"	10 FT <sup>3</sup>	7 FT <sup>3</sup>	65" X 36" X 26"	43.3" X 32.9" X 10.5"
TCP1000	1000 LB	16"	18 FT <sup>3</sup>	14 FT <sup>3</sup>	83" X 50" X 27"	58.9" X 38.0" X 15.0"
TCP1200	1200 LB	18"	19 FT <sup>3</sup>	15 FT <sup>3</sup>	85" X 47" X 31"	61.4" X 31.0" X 18.1"
TCP12004W	1200 LB	18"	19 FT <sup>3</sup>	15 FT <sup>3</sup>	85" X 50" X 31"	61.4" X 31.0" X 18.1"
TCP1500	1500 LB	18"	28 FT <sup>3</sup>	22 FT <sup>3</sup>	97" X 55" X 31"	69.1" X 39.8" X 17.9"
TCP15004W	1500 LB	18"	28 FT <sup>3</sup>	22 FT <sup>3</sup>	97" X 58" X 31"	69.1" X 39.8" X 17.9"

\* NOT DESIGNED FOR ROAD USE





# HI FLEX POLYMER GARDEN HOSES



BEND RESTRICTORS

HIGHLY FLEXIBLE  
KINK RESISTANT HOSE

PART#	90.358.051	90.375.051	90.375.101
SIZE	5/8" X 50'	3/4" X 50'	3/4" X 100'
COLOR	GREY	GREY	GREY

**350 PSI  
"EASY"  
SPRAY GUN**

HEAVY DUTY  
INDUSTRIAL  
CONSTRUCTION  
350 PSI RATING  
85.205.020



LOCKING OPERATION

**GARDEN HOSE  
ADJUSTABLE  
BRASS GUN**

ADJUSTABLE BRASS  
NOZZLE  
90.300.010



**GARDEN HOSE  
MULTI-HEAD  
GUN**

8 SPRAY PATTERNS  
90.300.011



**GARDEN HOSE  
BRASS 4"  
NOZZLE**

ADJUSTABLE BRASS NOZZLE  
90.300.012



**GARDEN HOSE  
BRASS  
VALVE**

BRASS 2 WAY Y  
SPLITTER WITH  
SWIVEL FITTING  
91.900.073



**GARDEN HOSE  
BRASS  
VALVE**

IN-LINE BRASS  
HOSE SHUT OFF  
91.900.074



**GARDEN HOSE  
BRASS  
VALVE**

HEAVY DUTY IN-LINE BRASS  
SHUT OFF  
91.900.075



**GARDEN HOSE  
SINGLE  
VALVE**

NYLON IN-LINE SHUT OFF  
GHV-1



**GARDEN HOSE  
BRASS  
VALVE**

NYLON 2 WAY Y SPLITTER  
GHV-2





# HEAVY DUTY SPRAY GUNS



## SPRAY GUN

SX-31001

- With 9" wand
- Long wand with 8 spray patterns
- Variable flow soft touch trigger

ERGONOMIC LOCK-IN-PLACE THUMB CONTROL TRIGGER



ERGONOMIC LOCK-IN-PLACE THUMB CONTROL TRIGGER

## SPRAY GUN

SX-21002



ERGONOMIC LOCK-IN-PLACE THUMB CONTROL TRIGGER

## SPRAY GUN

SX-21003



## REAR HANDLE SPRAY GUN

SX-21004

- 8 Spray patterns, flow control, soft touch trigger
- Rear flow control with variable flow from 50%-100%
- 3 Spray patterns, flow control, soft touch trigger
- Rear flow control with variable flow from 50%-100%

- 3 Spray patterns, flow control, soft touch trigger
- Rear flow control with variable flow from 50%-100%



# 400 LITER CAPACITY MOBILE DIESEL TANK

DD400

LARGE COVERED  
REFILL OPENING

TANK TIE DOWN INSERTS

POSTS

HIGH QUALITY  
AUTO SHUT-OFF  
NOZZLE

21' BATTERY  
HOOKUP CABLE  
WITH FUSE

13' 3/4" DELIVERY  
HOSE WITH SWIVEL FITTING

12V SELF-PRIMING  
DIESEL PUMP

LOCKABLE COVER

FLAMMABLE  
COMBUSTIBLE MAX FILL LEVEL

DIESEL FUEL ONLY  
DANGER

EXTREMELY FLAMMABLE  
HARMFUL OR FATAL IF SWALLOWED  
VAPORS MAY CAUSE FLASH FIRE

1202  
3

INCLUDES TDG STICKER

400 LITER /  
106 GALLON TANK

PALLET FORK INSERTS

- 40 LPM / 10.6 GPM 12V open flow
- Size: 1150 mm x 880 mm x 680 mm (45.5" x 32" x 27")
- Weight: 53 kg / 116 lbs



# CLAMP-ON PALLET FORKS

WITH STABILIZER BAR

**BOXED & SOLD AS PAIRS!**



BFT1002N PICTURED

**NOW SOLD IN PAIRS!**



COMPATIBLE WITH BUCKETS!

PART #	CAPACITY	WEIGHT	TOTAL LENGTH	FORK LENGTH	FORK WIDTH	FORK THICKNESS
BFT1002N	1000 LBS	115 LBS	45-3/4"	32"	3-1/4"	2"
BFT2002N	2000 LBS	183 LBS	64"	44"	4"	2"

# REPLACEMENT CLAMP-ON PALLET FORK



PART#	BFT1000G	BFT2000N
CAPACITY	1000 LBS	2000 LBS
WEIGHT	51 LBS	85 LBS

# FORK EXTENSION

2 METERS, 6.6', 110 LB  
EXT3T2M



OSHA REQUIRES FORK EXTENSION LENGTH TO BE NO LONGER THAN 150% OF THE LENGTH OF THE SUPPORT FORKS

# ADJUSTABLE PALLET FORK STABILIZER BAR

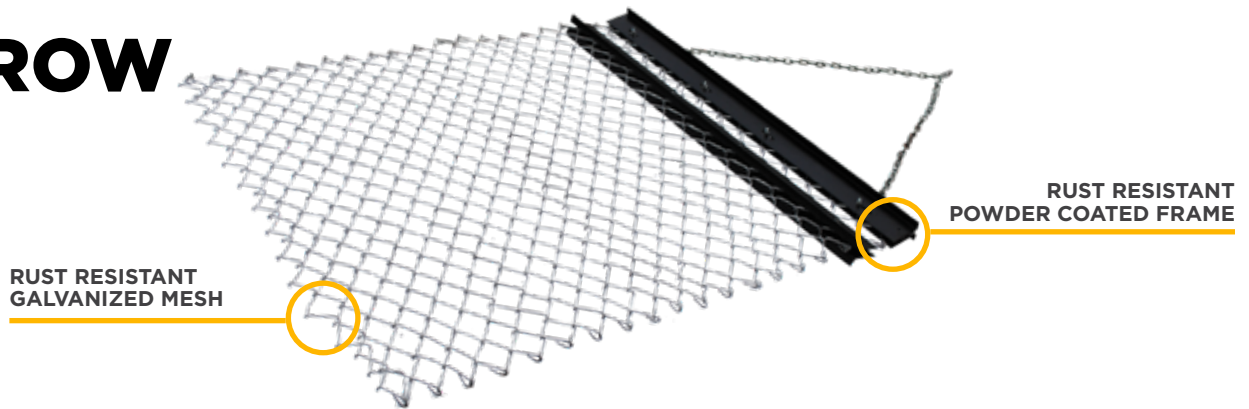


PART#	BFT10GSTAB	BFT20GSTAB
MIN LENGTH	20-3/4"	
MAX LENGTH	38-1/4"	
# OF ADJ. POSITIONS	9	

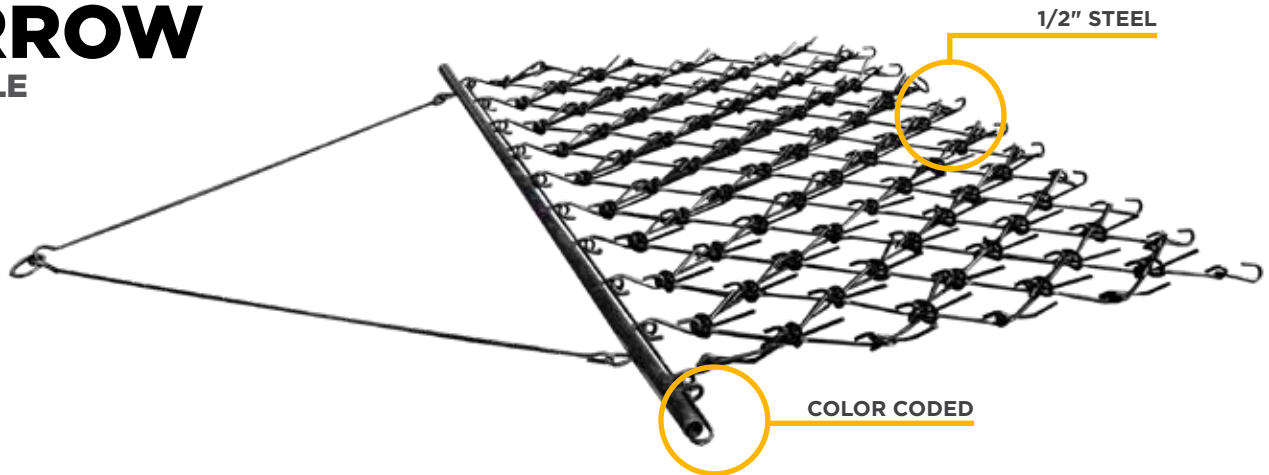


## MINI DRAG HARROW

57" X 36"  
81.200.060



## CHAIN HARROW WITH POLE



### CHAIN HARROW WITH POLES - 1/2" X 4-1/2" TINES

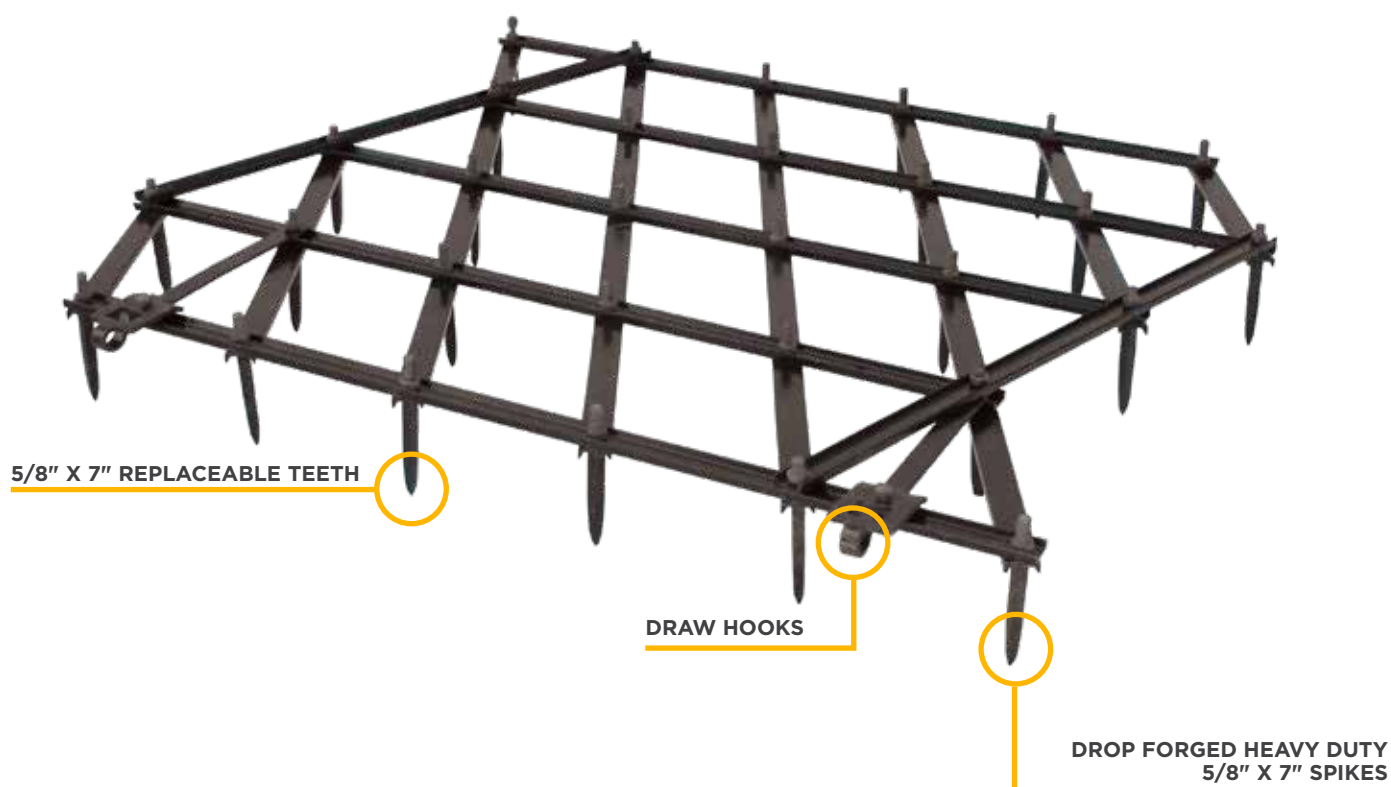
PART #	BE-CH4G	BE-CH6G	BE-CH8G	BE-CH10G	BE-CH12G
SECTION WIDTH	48"	72"	96"	120"	144"
POLE COLOR CODE	WHITE	BLACK	GREY	ORANGE	YELLOW
BED LENGTH	60"	60"	60"	60"	60"

### REPLACEMENT WEAR PARTS

HOOK BAR	CH122	CH122	CH122	CH122	CH122
POLE ASSEMBLY	CH4G-PA	CH4G-PA	CH4G-PA	CH4G-PA	CH4G-PA
BLANKET HOOK	CH127	CH127	CH127	CH127	CH127

# HEAVY DUTY DIAMOND HORSE ARENA HARROWS

40", 60"



## DIAMOND HARROW

PART #	HAR40S	HAR60S
WEIGHT	62 LBS	98 LBS
WORKING WIDTH	40"	60"
LENGTH	52"	52"

## REPLACEMENT WEAR PARTS

DRAW HOOK	61.200.010	61.200.010
TINES	61.200.007	61.200.007











### WARRANTY COVERAGE

Braber Equipment warrants that each new product will be free of any manufacturer defects in workmanship for 1 year. This warranty applies to the original purchaser of the product and cannot be transferred. Proof of purchase must be presented when requesting warranty service.

Exceptions to this warranty include: Honda GX Engines - 3 years against manufacturer defects\*; Powerease Engines - 2 years or 1000 hours, whichever comes first, against manufacturer defects; Delevan, Shurflo, and Everflo pumps to the extent of two years from date of manufacture or one year from date of invoice, whichever occurs first against manufacturer defects.\*\*

This warranty does not cover freight or labor charges associated with the inspection and testing of products which are found to not be a valid warranty claim.

All warranty returns require pre-approval by Braber Equipment before returning merchandise for a warranty inspection. Warranty claims without this pre-approval will not receive credit.

Freight claims or damages for products shipped by Braber Equipment must be reported within 48 hours of receipt. Orders received with missing parts need to be reported within 48 hours.

Hidden damage must be reported within 48 hours of first noticing and cannot be claimed on items received more than 90 days prior.

Exclusions to this warranty include, but are not limited to, misuse or negligent use of the product, expected and reasonable wear of consumable components and components included in regular maintenance.

For all warranty claims please contact Braber Equipment before performing service or providing replacement components.

\*Must contact local Honda Power Equipment for warranty

\*\*Delevan, Shurflo, and Everflo pumps should be on a dedicated (individual) circuit, protected by the fuse indicated on the motor label. The total current draw on the circuit must not exceed the recommended manufacturer's specifications. If the pump is used in conjunction with other components, overload current protection (fuse or circuit breaker) and wire size must be for the total amp requirement of all devices on the circuit. The pump should not be located in an area less than one cubic foot unless adequate ventilation is provided. Failure to adhere to the above will result in the unit being void of warranty.

**WARRANTY@BRABEREQ.COM**



**LAWN & GARDEN**  
EQUIPMENT & ACCESSORIES

VISIT YOUR LOCAL DEALER FOR MORE INFORMATION

**BE** AGRI  
AG & INDUSTRIAL EASE

POWERED by  
**HONDA**™



**ABBOTSFORD, BC**  
**HEAD OFFICE**

TOLL FREE FAX: 1-800-665-7334  
TOLL FREE: 1-877-588-3311  
PHONE: 604-850-7770  
FAX: 604-850-7774



**CANBY, OR**

TOLL FREE: 1-877-588-3311  
TOLL FREE FAX: 1-800-665-7334  
PHONE: 952-426-3523  
FAX: 1-604-850-7774



**LONDON, ON**

TOLL FREE FAX: 1-800-665-7334  
TOLL FREE: 1-800-367-6089  
PHONE: 519-624-8383  
FAX: 519-624-7510



**SHAKOPEE, MN**

TOLL FREE: 1-877-588-3311  
TOLL FREE FAX: 1-800-665-7334  
PHONE: 1-952-426-3523  
FAX: 1-952-426-3695

**WGSALES@BRABEREQ.COM**  
**BRABEREQ.COM | AGRIEASE.COM**